

SANITARY ELECTRONICS
STAINLESS STEEL PRODUCTS







AUTOMATIC INFRA-RED, PIEZO AND RADAR URINAL FLUSHING UNITS	5
AUTOMATIC INFRA-RED AND PIEZO WASHBASIN TAPS	15
ECONOMICAL AERATORS	19
AUTOMATIC INFRA-RED AND PIEZO WALL-MOUNTED WASHBASIN TAPS	21
AUTOMATIC WASHBASIN TAPS WITH INTEGRATED SOAP DISPENSER AND AUTOMATIC SOAP DISPENSER	23
BEHIND THE MIRROR MODULES	27
AUTOMATIC INFRA-RED AND PIEZO SHOWER CONTROLS	29
AUTOMATIC INFRA-RED, PIEZO AND MECHANICAL TOILET FLUSHING UNITS	34
STAINLESS STEEL WASHBASINS	38
STAINLESS STEEL DRINKING FOUNTAINS	45
STAINLESS STEEL WASHING TROUGHS	47
STAINLESS STEEL SINKS	51
STAINLESS STEEL WORKING AND WASHING TABLES	52
MEDICAL FURNITURE	53
STAINLESS STEEL URINALS	54
STAINLESS STEEL URINAL TROUGHS	56
STAINLESS STEEL DIVIDING CURTAIN	57
STAINLESS STEEL TOILETS	59
STAINLESS STEEL TOILETS WITH THE TANK	60
STAINLESS STEEL SQUATTING PAN	61
VANDAL-PROOF COMBINATION UNITS	61
STAINLESS STEEL AUTOMATIC INFRA-RED AND PIEZO SHOWER PANELS	65
STAINLESS STEEL SHOWER TRAYS	66
STAINLESS STEEL BATHTUBS	66
KEG LINE	67
EYES AND BODY SAFETY SHOWERS	69

STAINLESS STEEL CLEANER'S SINKS	71
STAINLESS STEEL SWIMMING POOL SLOTTED DRAINS	75
STAINLESS STEEL BATHROOM FLOOR DRAINS	75
COIN, RFID AND TOKEN MACHINES	77
STAINLESS STEEL TOILET PAPER HOLDERS AND SUPPLY BIN FOR SANITARY BAGS	89
STAINLESS STEEL SUPPLY BINS FOR PAPER TOWELS AND WASTE BINS	90
AUTOMATIC STAINLESS STEEL SOAP AND DISINFECTION DISPENSERS	94
STAINLESS STEEL SOAP AND DISINFECTION DISPENSERS	96
PLASTIC ACCESSORIES FOR HEALTH CARE	97
STAINLESS STEEL HOOKS AND TOILET BRUSHES	99
AUTOMATIC HAND DRYERS	102
STAINLESS STEEL BATHROOM ACCESSORIES	103
STAINLESS STEEL MIRRORS	108
TOILET COVER SEAT, SIPHON	108
STAINLESS STEEL PICTOGRAMS, SEPARATORS, SHELF	109
STAINLESS STEEL HANDRAILS	110
DIAPER CHANGER	111
POWER SUPPLY UNITS	111
SHOWER HEADS	112
TIME SET NON-CONCUSSIVE TAPS	112
MOUNTING FRAMES	114
ACCESSORIES	116
TECHNICAL DATA	125
INDEX	152
NOTES	157

AUTOMATIC INFRA-RED, PIEZO AND RADAR URINAL FLUSHING UNITS



INFRA-RED URINAL FLUSHING UNIT

SLP 02K	01022	24 V DC
SLP 02KZ	01023	with integrated power supply, 230 V AC
SLP 06K	01062	battery operated 6 V



INFRA-RED URINAL FLUSHING UNIT WITH A FRAME

SLP 03K	01032	24 V DC
SLP 03KZ	01033	with integrated power supply, 230 V AC
SLP 03KB	01034	battery operated 6 V



BLACK INFRA-RED URINAL FLUSHING UNIT

SLP 02KV	01018	24 V DC
SLP 02KVZ	01019	with integrated power supply, 230 V AC
SLP 06KV	01066	battery operated 6 V



BLACK INFRA-RED URINAL FLUSHING UNIT WITH A FRAME

SLP 03KV	01113	24 V DC
SLP 03KVZ	01115	with integrated power supply, 230 V AC
SLP 03KVB	01114	battery operated 6 V



INFRA-RED URINAL FLUSHING UNIT

SLP 02N	42022	24 V DC
SLP 02NZ	42023	with integrated power supply, 230 V AC
SLP 02NB	42025	battery operated 6 V



INFRA-RED URINAL FLUSHING UNIT WITH A FRAME

SLP 03N	01035	24 V DC
SLP 03NZ	01036	with integrated power supply, 230 V AC
SLP 03NB	01037	battery operated 6 V





PIEZO URINAL FLUSHING UNIT

SLP 02NP 42024 24 V DC



PIEZO URINAL FLUSHING UNIT

SLP 02PA 21022 with a vandal-proof cover, 24 V DC



INFRA-RED FLUSHING UNIT FOR A GROUP OF URINALS

SLP 05N 42052 24 V DC

SLP 05NZ 42053 with integrated power supply, 230 V AC



RADAR FLUSHING UNIT ON THE MOUNTING RAIL

SLP 07S 11071 24 V DC

SLP 07Z 01071 with integrated power supply, 230 V AC

SLP 07B 11076 battery operated 6 V

- for urinals NOVA PRO FELIX, RENOVA Nr., NOVA PRO ALEX, NOVA PRO, RENOVA Nr. 1 PLAN, SELNOVA



WALL-MOUNTED URINAL INFRA-RED FLUSHING UNIT, CHROMED

SLP 09K 01092 battery operated 9 V



URINAL VILA WITH A RADAR FLUSHING UNIT

SLP 12R 01124 24 V DC

SLP 12RZ 01125 with integrated power supply, 230 V AC

SLP 12RB 11127 battery operated 6 V





URINAL DOMINO WITH INFRA-RED FLUSHING UNIT

SLP 17 01170 24 V DC
SLP 17B 11176 battery operated 6 V



URINAL GOLEM WITH A RADAR FLUSHING UNIT (PLUG & PLAY)

SLP 19S 01196 24 V DC
SLP 19Z 01197 with integrated power supply, 230 V AC
SLP 19B 21195 battery operated 6 V



URINAL ANTERO WITH A RADAR FLUSHING UNIT (PLUG & PLAY)

SLP 20R 01204 24 V DC
SLP 20RZ 01205 with integrated power supply, 230 V AC



URINAL CAPRINO WITH A RADAR FLUSHING UNIT (PLUG & PLAY)

SLP 23S 11233 24 V DC
SLP 23Z 01234 with integrated power supply, 230 V AC
SLP 23B 01232 battery operated 6 V



URINAL ALESSI WITH COVER WITH A RADAR FLUSHING UNIT

SLP 24R 01244 24 V DC
SLP 24RZ 01245 with integrated power supply, 230 V AC



URINAL ALESSI WITH A RADAR FLUSHING UNIT

- SLP 25R 01254 24 V DC
- SLP 25RZ 01255 with integrated power supply, 230 V AC



URINAL LIVO WITH A RADAR FLUSHING UNIT

- SLP 31RS 11315 24 V DC
- SLP 31RZ 01315 with integrated power supply, 230 V AC
- SLP 31RB 11317 battery operated 6 V



URINAL ARQ WITH COVER WITH A RADAR FLUSHING UNIT

- SLP 32R 01324 24 V DC
- SLP 32RZ 01325 with integrated power supply, 230 V AC
- SLP 32RB 11327 battery operated 6 V



RADAR FLUSHING UNIT ON THE MOUNTING RAIL FOR URINAL ROCA MERINO/INKER

- SLP 35S 11351 24 V DC
- SLP 35Z 01351 with integrated power supply, 230 V AC
- SLP 35B 11356 battery operated 6 V



URINAL ROCA MERINO/INKER WITH A RADAR FLUSHING UNIT

- SLP 35RS 11355 24 V DC
- SLP 35RZ 01355 with integrated power supply, 230 V AC
- SLP 35RB 11357 battery operated 6 V





RADAR FLUSHING UNIT ON THE MOUNTING RAIL FOR URINAL ECCO (GOLF)

- SLP 36RS 11365 24 V DC
- SLP 36RZ 01365 with integrated power supply, 230 V AC
- SLP 36RB 11367 battery operated 6 V



URINAL VILA WITH COVER (SYSTEM SOFT-CLOSE) AND WITH A RADAR FLUSHING UNIT

- SLP 37R 01374 24 V DC
- SLP 37RZ 01375 with integrated power supply, 230 V AC
- SLP 37RB 11377 battery operated 6 V



URINAL CAPRINO PLUS WITH A RADAR FLUSHING UNIT (PLUG & PLAY)

- SLP 49S 01498 24 V DC
- SLP 49Z 01499 with integrated power supply, 230 V AC
- SLP 49B 01492 battery operated 6 V



RADAR FLUSHING UNIT ON THE MOUNTING RAIL FOR D-CODE URINAL

- SLP 54RS 11545 24 V DC
- SLP 54RZ 01545 with integrated power supply, 230 V AC
- SLP 54RB 01541 battery operated 6 V



URINAL LEMA WITH A RADAR FLUSHING UNIT

- SLP 59RS 11596 24 V DC
- SLP 59RZ 01595 with integrated power supply, 230 V AC
- SLP 59RB 11597 battery operated 6 V



RADAR FLUSHING UNIT ON THE MOUNTING RAIL FOR URINAL ARCHITECTURA 557400

- SLP 68RS 11685 24 V DC
- SLP 68RZ 01685 with integrated power supply, 230 V AC
- SLP 68RB 11687 battery operated 6 V





RADAR FLUSHING UNIT ON THE MOUNTING RAIL FOR URINAL ARCHITECTURA 558600, 558700

- SLP 69RS 11695 24 V DC
- SLP 69RZ 01695 with integrated power supply, 230 V AC
- SLP 69RB 11697 battery operated 6 V



RADAR FLUSHING UNIT ON THE MOUNTING RAIL FOR URINAL O.NOVO (OMNIA PRO)

- SLP 70RS 11705 24 V DC
- SLP 70RZ 11706 with integrated power supply, 230 V AC
- SLP 70RB 11707 battery operated 6 V



RADAR FLUSHING UNIT ON THE MOUNTING RAIL FOR URINAL SUBWAY 751300

- SLP 71RS 11715 24 V DC
- SLP 71RZ 11716 with integrated power supply, 230 V AC
- SLP 71RB 11717 battery operated 6 V



URINAL WCA WITH RADAR FLUSHING UNIT (PLUG & PLAY)

- SLP 82RS 01820 24 V DC
- SLP 82RZ 01822 with integrated power supply, 230 V AC
- SLP 82RB 01821 battery operated 6 V



TIME-CONTROLLED FLUSHING UNIT

- SLP 01Z 01011 230 V AC



DIVIDING CURTAIN BETWEEN URINALS - HPL LAMINATE

- SLZN 14 95140







AUTOMATIC INFRA-RED AND PIEZO WASHBASIN TAPS



AUTOMATIC WASHBASIN TAP

- SLU 01N 23018** for cold or premixed water, 24 V DC
SLU 01NB 23019 for cold or premixed water, battery operated 6 V



AUTOMATIC WASHBASIN TAP

- SLU 02N 23028** for cold and hot water, 24 V DC
SLU 02NB 23029 for cold and hot water, battery operated 6 V
SLU 02T 13026 with thermostatic valve, 24 V DC
SLU 02BT 13023 with thermostatic valve, battery operated 6 V



AUTOMATIC WASHBASIN / SINK TAP

- SLU 08L 13085** for cold and hot water, 24 V DC
SLU 08LB 13185 for cold and hot water, battery operated 6 V



AUTOMATIC WASHBASIN / SINK ELONGATED TAP

- SLU 08LD 13087** for cold and hot water, 24 V DC
SLU 08LDB 13180 for cold and hot water, battery operated 6 V



AUTOMATIC WASHBASIN / SINK MIXER

- SLU 08LN 13181** 24 V DC
SLU 08LNB 13086 battery operated 6 V



AUTOMATIC WASHBASIN / SINK ELONGATED MIXER

- SLU 08LND 13183** 24 V DC
SLU 08LNDB 13088 battery operated 6 V





AUTOMATIC WASHBASIN TAP

- SLU 34 03340** for cold or premixed water, 24 V DC
- SLU 34B 03345** for cold or premixed water, battery operated 6 V
- SLU 35 03350** for cold and hot water, 24 V DC
- SLU 35B 03355** for cold and hot water, battery operated 6 V



AUTOMATIC WASHBASIN MIXER

- SLU 37 03370** 24 V DC
- SLU 37B 03375** battery operated 6 V



AUTOMATIC STAINLESS STEEL WASHBASIN TAP

- SLU 45 03450** for cold or premixed water, 24 V DC
- SLU 45B 03455** for cold or premixed water, battery operated 6 V
- SLU 46 03460** for cold and hot water, 24 V DC
- SLU 46B 03465** for cold and hot water, battery operated 6 V



AUTOMATIC WASHBASIN TAP

- SLU 56 03560** for cold or premixed water, 24 V DC
- SLU 56B 03565** for cold or premixed water, battery operated 6 V
- SLU 57 03570** for cold and hot water, 24 V DC
- SLU 57B 03575** for cold and hot water, battery operated 6 V



BLACK AUTOMATIC WASHBASIN TAP

- SLU 56V 03561** for cold or premixed water, 24 V DC
- SLU 56VB 03566** for cold or premixed water, battery operated 6 V
- SLU 57V 03571** for cold and hot water, 24 V DC
- SLU 57VB 03576** for cold and hot water, battery operated 6 V



AUTOMATIC WASHBASIN ELONGATED MIXER

- SLU 60 03600** 24 V DC
- SLU 60B 03605** battery operated 6 V



- is destined for countertop washbasins
 - max. height of washbasin is 150 mm



BLACK AUTOMATIC WASHBASIN ELONGATED MIXER

SLU 60V 03602 24 V DC
 SLU 60VB 03607 battery operated 6 V

- is destined for countertop washbasins
 - max. height of washbasin is 150 mm



AUTOMATIC WASHBASIN MIXER

SLU 63 03630 24 V DC
 SLU 63B 03635 battery operated 6 V



BLACK AUTOMATIC WASHBASIN MIXER

SLU 63V 03634 24 V DC
 SLU 63VB 03637 battery operated 6 V



AUTOMATIC WASHBASIN MIXER

SLU 76N 03763 24 V DC
 SLU 76NB 03766 battery operated 6 V



AUTOMATIC STAINLESS STEEL WASHBASIN TAP

SLU 91N 23918 for cold or premixed water, 24 V DC
 SLU 91NB 23919 for cold or premixed water, battery operated 6 V
 SLU 93N 23938 for cold and hot water, 24 V DC
 SLU 93NB 23939 for cold and hot water, battery operated 6 V



AUTOMATIC STAINLESS STEEL WASHBASIN MIXER

SLU 92N 23928 24 V DC
 SLU 92NB 23929 battery operated 6 V





AUTOMATIC STAINLESS STEEL WASHBASIN TAP, LONGER SPOUT

- SLU 91ND 23918** for cold or premixed water, 24 V DC
- SLU 91NDB 23919** for cold or premixed water, battery operated 6 V
- SLU 93ND 53936** for cold and hot water, 24 V DC
- SLU 93NDB 53937** for cold and hot water, battery operated 6 V



AUTOMATIC STAINLESS STEEL WASHBASIN MIXER, LONGER SPOUT

- SLU 92ND 53926** 24 V DC
- SLU 92NDB 53927** battery operated 6 V



PIEZO STAINLESS STEEL WASHBASIN TAP

- SLU 91NP 66911** for cold or premixed water, 24 V DC
- SLU 91NPB 66912** for cold or premixed water, battery operated 6 V
- SLU 93NP 66921** for cold and hot water, 24 V DC
- SLU 93NPB 66922** for cold and hot water, battery operated 6 V



PIEZO STAINLESS STEEL WASHBASIN MIXER

- SLU 92NP 43929** 24 V DC
- SLU 92NPB 64921** battery operated 6 V



PIEZO STAINLESS STEEL WASHBASIN TAP, LONGER SPOUT

- SLU 91NPD 64912** for cold or premixed water, 24 V DC
- SLU 91NPDB 64913** for cold or premixed water, battery operated 6 V
- SLU 93NPD 64932** for cold and hot water, 24 V DC
- SLU 93NPDB 64933** for cold and hot water, battery operated 6 V



PIEZO STAINLESS STEEL WASHBASIN MIXER, LONGER SPOUT

- SLU 92NPD 66923** 24 V DC
- SLU 92NPDB 66924** battery operated 6 V





ECONOMICAL AERATORS



SLA 55A



SLA 56A



SLA 57A

ECONOMICAL AERATORS

SLA 55A	06550	3,8 l/min., for SLU 01N/02N, SLU 04H/HT, SLU 25, SLU 56, SLU 57, SLU 56V, SLU 57V
SLA 55B	06551	1,9 l/min., for SLU 01N/02N, SLU 04H/HT, SLU 25, SLU 56, SLU 57, SLU 56V, SLU 57V
SLA 56A	06560	3,8 l/min., for SLU 09PTB, SLU 39, SLU 42K, SLU 43, SLU 43KB, SLU43V, SLU 44, SLU 45/46, SLU 91N-93N, SLUN 04, SLUN 07, SLUN 50-53, SLUN 71/72, SLUN 80-83, SLZN 84D, SLZN 84F
SLA 56B	06561	1,9 l/min., for SLU 09PTB, SLU 39, SLU 42, SLU 43, SLU 43KB, SLU43V, SLU 44, SLU 45/46, SLU 91N-93N, SLUN 04, SLUN 07, SLUN 50-53, SLUN 71/72, SLUN 80-83, SLZN 84D, SLZN 84F
SLA 57A	06570	3,8 l/min., for SLU 37, SLU 41N, SLU 60, SLU 60V, SLU 63, SLU 63V, SLU 76N
SLA 57B	06571	1,9 l/min., for SLU 37, SLU 41N, SLU 60, SLU 60V, SLU 63, SLU 63V, SLU 76N



AUTOMATIC INFRA-RED AND PIEZO WALL-MOUNTED WASHBASIN TAPS



AUTOMATIC WALL-MOUNTED WASHBASIN TAP FOR COLD OR PREMIXED WATER

- SLU 04H17 03041 spout of 170 mm, 24 V DC
- SLU 04H17B 03046 spout of 170 mm, battery operated 6 V
- SLU 04H25 03042 spout of 250 mm, 24 V DC
- SLU 04H25B 03047 spout of 250 mm, battery operated 6 V



PIEZO WALL-MOUNTED WASHBASIN TAP FOR COLD OR PREMIXED WATER

- SLU 04P17 53041 spout of 170 mm, 24 V DC
- SLU 04P17B 53043 spout of 170 mm, battery operated 6 V
- SLU 04P25 53042 spout of 250 mm, 24 V DC
- SLU 04P25B 53044 spout of 250 mm, battery operated 6 V



AUTOMATIC WALL-MOUNTED THERMOSTATIC WASHBASIN MIXER

- SLU 04HT17 43046 spout of 170 mm, 24 V DC
- SLU 04HT17B 65043 spout of 170 mm, battery operated 6 V
- SLU 04HT25 43047 spout of 250 mm, 24 V DC
- SLU 04HT25B 65044 spout of 250 mm, battery operated 6 V



PIEZO WALL-MOUNTED WASHBASIN TAP WITH THERMOSTATIC VALVE AND WITH SPECIAL „ANTI-SUICIDAL“ SPOUT

- SLU 09PTB 13091 battery operated 6 V



AUTOMATIC WALL-MOUNTED THERMOSTATIC WASHBASIN MIXER

- SLU 25 03250 24 V DC
- SLU 25B 03255 battery operated 9 V



AUTOMATIC WALL-MOUNTED THERMOSTATIC WASHBASIN MIXER

- SLU 25S 33258 24 V DC
- SLU 25SB 33259 battery operated 9 V



SET OF STAINLESS STEEL PIEZO WALL-MOUNTED WASHBASIN TAP FOR SUBSEQUENT MOUNTING FOR COLD OR PREMIXED WATER

- SLU 39PX 03394 24 V DC, brushed
- SLU 39PBX 03395 battery operated 6 V, brushed

- is destined for installation into the wall (through the service room), necessary to use installation set SLA 52B

- is destined for installation into the sheets with a max. thickness of 5 mm

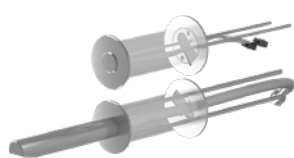




SET OF STAINLESS STEEL AUTOMATIC WALL-MOUNTED WASHBASIN TAP FOR SUBSEQUENT MOUNTING FOR COLD OR PREMIXED WATER

- SLU 39 03390** 24 V DC, polished
- SLU 39B 03392** battery operated 6 V, polished
- SLU 39X 03391** 24 V DC, brushed
- SLU 39BX 03393** battery operated 6 V, brushed

- is destined for installation into the wall (through the service room), necessary to use installation set SLA 52A
 - is destined for installation into the sheets with a max. thickness of 5 mm



SET OF PARTS FOR MOUNTING INTO THE WALL (THROUGH SERVICE ROOM)

- SLA 52A 06520** for SLU 39, SLU 39X
- SLA 52B 06521** for SLU 39PX

- necessary to have a service room on the other side of the wall



AUTOMATIC WALL-MOUNTED STAINLESS STEEL WASHBASIN TAP FOR COLD OR PREMIXED WATER

- SLU 43 03430** 24 V DC
- SLU 43B 03435** battery operated 6 V



BLACK AUTOMATIC WALL-MOUNTED STAINLESS STEEL WASHBASIN TAP FOR COLD OR PREMIXED WATER

- SLU 43V 03433** 24 V DC
- SLU 43VB 03434** battery operated 6 V



AUTOMATIC WALL-MOUNTED WASHBASIN MIXER, CHROME-PLATED

- SLU 42K 03420** 24 V DC
- SLU 42KB 03425** battery operated 6 V



AUTOMATIC WALL-MOUNTED WASHBASIN TAP FOR COLD OR PREMIXED WATER, CHROME-PLATED

- SLU 43KB 03431** battery operated 6 V



AUTOMATIC WALL-MOUNTED WASHBASIN TAP FOR COLD OR PREMIXED WATER WITH A VANDAL-PROOF COVER AND WITH „ANTI-SUICIDAL“ SPOUT

- SLU 44P 43449** 24 V DC
- SLU 44PB 64441** battery operated 6 V



AUTOMATIC WALL-MOUNTED TAP FOR HOT AND COLD WATER WITH A VANDAL-PROOF COVER AND WITH „ANTI-SUICIDAL“ SPOUT

- SLU 44PP 64442** 24 V DC

- mutual blocking of the piezo buttons



AUTOMATIC WASHBASIN TAPS WITH INTEGRATED SOAP DISPENSER AND AUTOMATIC SOAP DISPENSER



AUTOMATIC STAINLESS STEEL WASHBASIN TAP WITH INTEGRATED AUTOMATIC SOAP DISPENSER

SLU 45MD 03466 for cold or premixed water, soap canister 1 l, 230 V AC
SLU 46MD 03467 for hot and cold water, soap canister 1 l, 230 V AC



AUTOMATIC STAINLESS STEEL WASHBASIN TAP FOR COLD OR PREMIXED WATER WITH CENTRAL SOAP CANISTER

SLU 45M2 03453 2 spouts, soap canister 6 l, 230 V AC
SLU 45M3 03454 3 spouts, soap canister 6 l, 230 V AC
SLU 45M4 03456 4 spouts, soap canister 6 l, 230 V AC
SLU 45M5 03457 5 spouts, soap canister 6 l, 230 V AC
SLU 45M6 03458 6 spouts, soap canister 6 l, 230 V AC



AUTOMATIC STAINLESS STEEL WALL-MOUNTED SOAP DISPENSER, SOAP CANISTER 1 L

SLZN 83E 85831 230 V AC



BLACK AUTOMATIC STAINLESS STEEL WALL-MOUNTED SOAP DISPENSER, SOAP CANISTER 1 L

SLZN 83EV 85837 230 V AC



AUTOMATIC STAINLESS STEEL WALL-MOUNTED SOAP DISPENSER, SOAP CANISTER 1 L, MOUNTING FRAME SLR 24 INCLUDED

SLZN 83ER 85838 230 V AC
SLZN 83EVR 85839 230 V AC, black



AUTOMATIC STAINLESS STEEL WALL-MOUNTED SOAP DISPENSER WITH CENTRAL SOAP CANISTER

SLZN 83E2 85832 2 spouts, soap canister 6 l, 230 V AC
SLZN 83E3 85833 3 spouts, soap canister 6 l, 230 V AC
SLZN 83E4 85834 4 spouts, soap canister 6 l, 230 V AC
SLZN 83E5 85835 5 spouts, soap canister 6 l, 230 V AC
SLZN 83E6 85836 6 spouts, soap canister 6 l, 230 V AC



AUTOMATIC STAINLESS STEEL WALL-MOUNTED SOAP DISPENSER WITH CENTRAL SOAP CANISTER, MOUNTING FRAME SLR 24 INCLUDED

- SLZN 83ER2 85812 2 spouts, soap canister 6 l, 230 V AC
- SLZN 83ER3 85813 3 spouts, soap canister 6 l, 230 V AC
- SLZN 83ER4 85814 4 spouts, soap canister 6 l, 230 V AC
- SLZN 83ER5 85815 5 spouts, soap canister 6 l, 230 V AC
- SLZN 83ER6 85816 6 spouts, soap canister 6 l, 230 V AC



AUTOMATIC STAINLESS STEEL COUNTERTOP SOAP DISPENSER, SOAP CANISTER 1 L

- SLZN 91E 85911 230 V AC



AUTOMATIC STAINLESS STEEL COUNTERTOP SOAP DISPENSER WITH CENTRAL SOAPCANISTER

- SLZN 91E2 85912 2 spouts, soap canister 6 l, 230 V AC
- SLZN 91E3 85913 3 spouts, soap canister 6 l, 230 V AC
- SLZN 91E4 85914 4 spouts, soap canister 6 l, 230 V AC
- SLZN 91E5 85915 5 spouts, soap canister 6 l, 230 V AC
- SLZN 91E6 85916 6 spouts, soap canister 6 l, 230 V AC



AUTOMATIC LIQUID SOAP AND GEL DISINFECTION DISPENSER

- SLDN 08E 72081 volume 1 l, white plastic ABS, battery operated 6 V



AUTOMATIC STAINLESS STEEL LIQUID SOAP AND DISINFECTION DISPENSER

- SLZN 71E 85717 inner plastic container, volume 0,85 l, brushed, battery operated 4,5 V







BEHIND THE MIRROR MODULES

**BEHIND THE MIRROR SOAP DISPENSER**

SLZN 84A 85840 soap canister 5 l, 24 V DC

- for canister 5 l (included)

**BEHIND THE MIRROR AUTOMATIC WASHBASIN TAP FOR COLD OR PREMIXED WATER**

SLZN 84D 85841 24 V DC

**BEHIND THE MIRROR AUTOMATIC WASHBASIN TAP FOR COLD OR PREMIXED WATER WITH SOAP DISPENSER**

SLZN 84F 85842 soap canister 5 l, 24 V DC

- for canister 5 l (included)

**BEHIND THE MIRROR HAND DRYER**

SLZN 84G 85843 230 V AC

**BEHIND THE MIRROR PAPER TOWEL DISPENSER**

SLZN 84H 85844

**AUTOMATIC LIQUID AND GEL DISINFECTION DISPENSER**

SLZN 84J 85848 soap canister 5 l, 24 V DC

- for canister 5 l (included)



AUTOMATIC INFRA-RED AND PIEZO SHOWER CONTROLS



AUTOMATIC SHOWER CONTROL FOR COLD OR PREMIXED WATER

SLS 01AK 02012 24 V DC
 SLS 01AKB 12017 battery operated 6 V



BLACK AUTOMATIC SHOWER CONTROL FOR COLD OR PREMIXED WATER

SLS 01AKV 02002 24 V DC
 SLS 01AKVB 12007 battery operated 6 V



AUTOMATIC SHOWER CONTROL FOR COLD OR PREMIXED WATER

SLS 01N 22012 24 V DC
 SLS 01NB 22013 battery operated 6 V



PIEZO SHOWER CONTROL FOR COLD OR PREMIXED WATER

SLS 01P 12012 24 V DC
 SLS 01PB 12013 battery operated 6 V



PIEZO SHOWER CONTROL FOR COLD OR PREMIXED WATER

SLS 01NP 22016 24 V DC
 SLS 01NPB 22017 battery operated 6 V



PIEZO SHOWER CONTROL FOR COLD OR PREMIXED WATER

SLS 01PA 12016 with vandal-proof cover, 24 V DC



AUTOMATIC SHOWER CONTROL WITH MIXER

SLS 02 02020 24 V DC
 SLS 02B 02026 battery operated 6 V







AUTOMATIC SHOWER CONTROL WITH THERMOSTATIC MIXER

- SLS 02T 02023 24 V DC
- SLS 02TB 02027 battery operated 6 V



PIEZO SHOWER CONTROL WITH MIXER

- SLS 02P 12022 24 V DC
- SLS 02PB 12023 battery operated 6 V



PIEZO SHOWER CONTROL WITH THERMOSTATIC MIXER

- SLS 02PT 12024 24 V DC
- SLS 02PTB 12025 battery operated 6 V



AUTOMATIC WALL-MOUNTED SHOWER CONTROL WITH THERMOSTATIC MIXER, UPPER OUTLET

- SLS 03 02030 24 V DC
- SLS 03B 02036 battery operated 6 V



AUTOMATIC WALL-MOUNTED SHOWER CONTROL WITH THERMOSTATIC MIXER, BOTTOM OUTLET

- SLS 03S 02038 24 V DC
- SLS 03SB 22031 battery operated 6 V



ELECTRONIC TOUCH SHOWER CONTROL FOR COLD OR PREMIXED WATER

- SLS 30B 02300 glass cover colour REF 9006 light grey, cyan backlighting, 24 V DC
- SLS 30C 02301 glass cover colour REF 7016 dark grey, white backlighting, 24 V DC
- SLS 30D 02302 glass cover colour REF 0337 metallic black, white backlighting, 24 V DC
- SLS 30E 02303 glass cover colour REF 9005 black, white backlighting, 24 V DC



THERMOSTATIC MIXING VALVE 1/2" IN GLASS PANEL

- SLT 12B 09121 glass colour REF 9006 light grey
- SLT 12C 09122 glass colour REF 7016 dark grey
- SLT 12D 09123 glass colour REF 0337 metallic black
- SLT 12E 09124 glass colour REF 9005 black



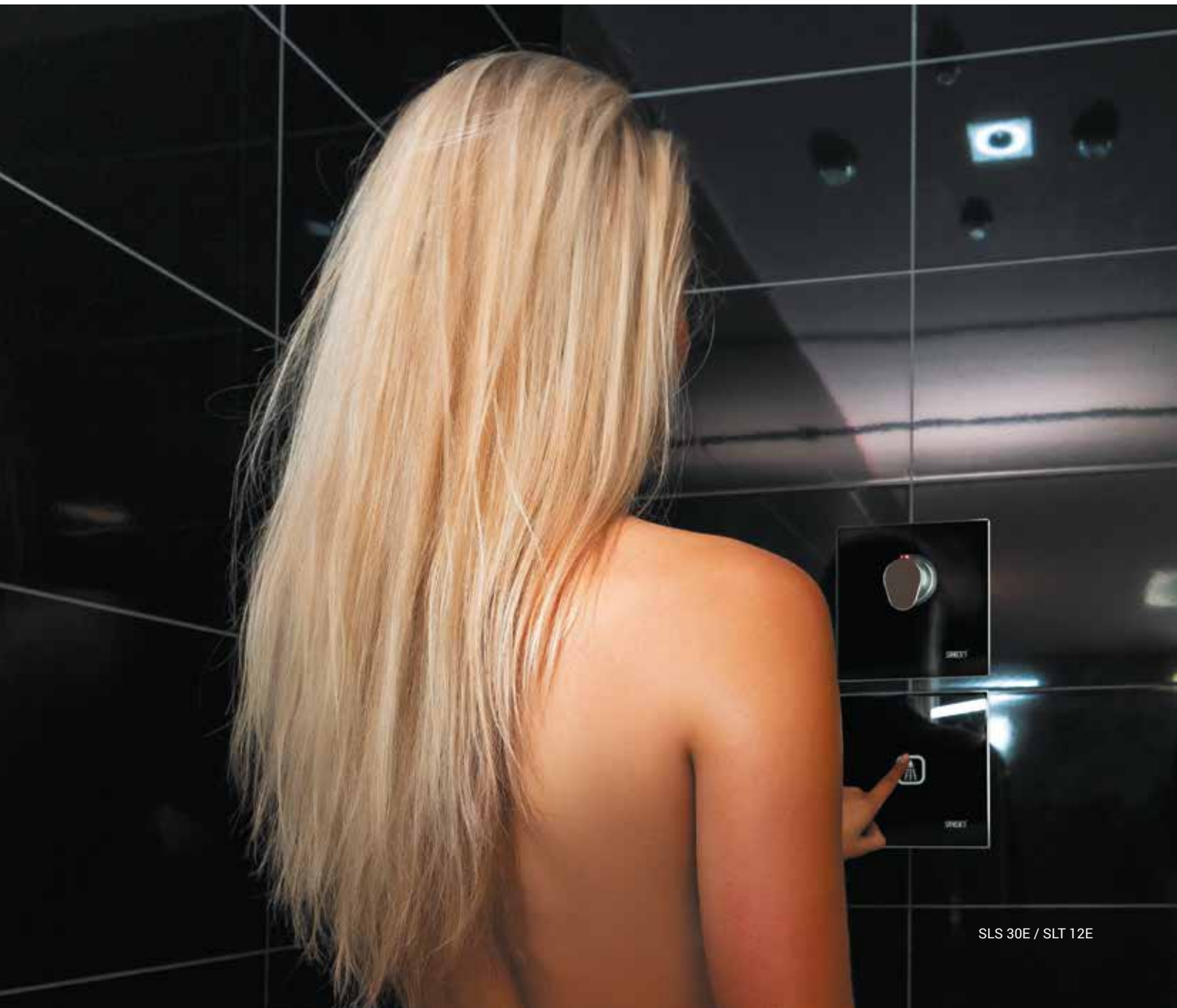
ELECTRONIC TOUCH CONTROL FOR HEAD AND HAND SHOWER WITH THERMOSTATIC VALVE

- SLS 32B 02320** glass cover colour REF 9006 light grey, cyan backlighting, 24 V DC
- SLS 32C 02321** glass cover colour REF 7016 dark grey, white backlighting, 24 V DC
- SLS 32D 02322** glass cover colour REF 0337 metallic black, white backlighting, 24 V DC
- SLS 32E 02323** glass cover colour REF 9005 black, white backlighting, 24 V DC



REMOTE CONTROL FOR ADJUSTING THE COLOUR AND INTENSITY OF THE BACKLIGHT

- SLD 10 07012**





SLWN 04 / SLW 01PA / SLZN 37X
SLZN 19X / SLZN 53 / SLZN 79X



AUTOMATIC TOILET FLUSHING UNIT FOR PRESSURED WATER

SLW 01NK 04015 24 V DC
 SLW 01NKB 04017 battery operated 6 V



AUTOMATIC TOILET FLUSHING UNIT FOR PRESSURED WATER WITH A FRAME

SLW 10NK 04101 24 V DC
 SLW 10NKB 04102 battery operated 6 V



PIEZO TOILET FLUSHING UNIT FOR PRESSURED WATER

SLW 01P 14015 24 V DC
 SLW 01PB 14010 battery operated 6 V



PIEZO TOILET FLUSHING UNIT FOR PRESSURED WATER WITH A FRAME

SLW 10P 04103 24 V DC
 SLW 10PB 04104 battery operated 6 V



PIEZO TOILET FLUSHING UNIT FOR PRESSURED WATER WITH VANDAL-PROOF COVER, WITH A FRAME

SLW 01PA 14016 24 V DC



PIEZO TOILET FLUSHING UNIT FOR PRESSURED WATER

SLW 10PA 04105 with vandal-proof cover, 24 V DC





PIEZO TOILET FLUSHING UNIT FOR PRESSURED WATER WITH VANDAL-PROOF COVER, WITH DISTANT CONTROL FOR DISABLED PEOPLE

SLW 03PA 14036 24 V DC



PIEZO TOILET FLUSHING UNIT WITH VANDAL-PROOF COVER, INCLUDING THE FRAME SLR 21

SLW 02PA 14026 24 V DC



PIEZO TOILET FLUSHING UNIT WITH VANDAL-PROOF COVER, WITH DISTANT CONTROL FOR DISABLED PEOPLE, INCLUDING THE FRAME SLR 21

SLW 04PA 14046 24 V DC



ELECTRONIC TOUCH TOILET FLUSHING UNIT FOR INSTALLATION SYSTEM SLR 21, GLASS COVER COLOUR REF 1502 WHITE

SLW 30A 04300 blue backlighting, 24 V DC



ELECTRONIC TOUCH TOILET FLUSHING UNIT FOR INSTALLATION SYSTEM SLR 21, GLASS COVER COLOUR REF 9005 BLACK

SLW 30E 04301 white backlighting, 24 V DC

SLW 30F 04302 blue backlighting, 24 V DC



AUTOMATIC TOILET FLUSHING UNIT FOR INSTALLATION SYSTEM SLR 21, WHITE PLASTIC

SLW 02A 04026 24 V DC



SLWN 04 / SLW 30F / SLZN 19X
SLZN 37X



**AUTOMATIC TOILET FLUSHING UNIT FOR INSTALLATION SYSTEM SLR 21,
BLACK PLASTIC**

SLW 02F 04027 24 V DC



**AUTOMATIC TOILET FLUSHING UNITS FOR GEBERIT INSTALLATION SYSTEMS,
PUSH-BUTTON SIGMA 10**

SLW 02GT 14022 24 V DC



**AUTOMATIC TOILET FLUSHING UNIT FOR INSTALLATION SYSTEM SLR 21,
STAINLESS STEEL**

SLW 02N 04022 24 V DC



SLW 50

MECHANICAL TOILET FLUSHING UNIT FOR INSTALLATION SYSTEM SLR 21

- SLW 50 04500 white plastic
- SLW 51 04510 polished chrome
- SLW 52 04520 brushed chrome
- SLW 53 04530 black plastic
- SLW 54 04542 stainless steel



SLW 51



SLW 52



SLW 53



SLW 54



STAINLESS STEEL WASHBASIN WITH TAP HOLE

SLUN 01 93010

- siphon, overflow and mounting set included, brushed finish



STAINLESS STEEL WASHBASIN WITH TAP HOLE

SLUN 02 93020

- back-splash, siphon, overflow and mounting set included, brushed finish



STAINLESS STEEL CORNER WASHBASIN

SLUN 11 93110

- siphon and mounting set included, brushed finish
- tap hole could be made to order



STAINLESS STEEL WASHBASIN

SLUN 13 93130

- siphon and mounting set included, brushed finish
- tap hole could be made to order



STAINLESS STEEL WASHBASIN, Ø 380 MM

SLUN 17 93170

- siphon and mounting set included, brushed finish
- tap hole could be made to order



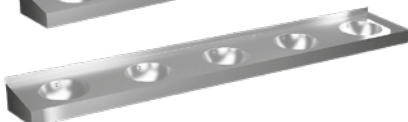
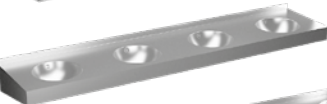
STAINLESS STEEL MULTIPLE WASHBASIN

SLUN 19 93190 double washbasin, 1200 x 500 mm

SLUN 20 93200 triple washbasin, 1800 x 500 mm

SLUN 60 93600 four washbasins, 2400 x 500 mm

SLUN 61 93610 five washbasins, 3000 x 500 mm



- siphon, overflow and mounting set included, brushed finish
- different lengths, tap holes and holes for recessed liquid soap dispensers could be made to order



STAINLESS STEEL MULTIPLE WASHBASIN WITH APRON

SLUN 19P	93197	double washbasin, 1200 x 500 mm
SLUN 20P	93207	triple washbasin, 1800 x 500 mm
SLUN 60P	93607	four washbasins, 2400 x 500 mm
SLUN 61P	93617	five washbasins, 3000 x 500 mm

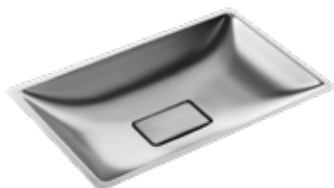
- siphon, overflow and mounting set included, brushed finish
 - different lengths, tap holes and holes for recessed liquid soap dispensers could be made to order



VANDAL-PROOF STAINLESS STEEL WASHBASIN, Ø 320 MM

SLUN 22M 83226

- stainless steel waste tube and M10 screws included, brushed finish
 - rear assembling by M10 screws from the service room



STAINLESS STEEL RECESSED WASHBASIN

SLUN 24X 93241

- siphon, mounting set included, brushed finish



STAINLESS STEEL WASHBASIN WITH TAP HOLE

SLUN 26 93260

- rounded corners and edges
 - siphon, overflow set with drain and plug and mounting set included, brushed finish



STAINLESS STEEL WASHBASIN WITHOUT TAP HOLE

SLUN 26A 73262

- rounded corners and edges
 - siphon, overflow set with drain and plug and mounting set included, brushed finish



STAINLESS STEEL RECESSED WASHBASIN WITH TAP HOLE, Ø 360 MM

SLUN 28A 73282

- siphon, overflow and mounting set included, polished finish



STAINLESS STEEL RECESSED WASHBASIN WITH TAP HOLE

SLUN 32 93320

SLUN 32X 93328

- siphon, overflow and mounting set included
- high polished finish (SLUN 32), brushed finish (SLUN 32X)



STAINLESS STEEL RECESSED WASHBASIN, Ø 420 MM

SLUN 34 93340

- siphon and overflow set included
- assembling by glue, brushed finish



STAINLESS STEEL WALL HUNG WASHBASIN WITH TAP HOLE

SLUN 36A 73362

- siphon, overflow, overflow set and mounting set included, brushed finish



STAINLESS STEEL RECESSED WASHBASIN, Ø 320 MM

SLUN 44 93440

SLUN 44X 93448

- siphon, overflow and mounting set included, polished finish (SLUN 44), brushed finish (SLUN 44X)

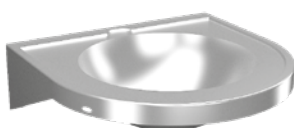


STAINLESS STEEL RECESSED WASHBASIN, Ø 360 MM

SLUN 45 93450

SLUN 45X 93458

- siphon, overflow and mounting set included, polished finish (SLUN 45), brushed finish (SLUN 45X)



STAINLESS STEEL WASHBASIN FOR DISABLED PEOPLE

SLUN 47 93470

SLUN 47X 93478

- special siphon and mounting set included, polished finish (SLUN 47), brushed finish (SLUN 47X)
- tap hole could be made to order





STAINLESS STEEL FLOOR STANDING WASHBASIN WITH APRON, FIXED TO THE WALL

SLUN 57 93570

- siphon and mounting set included, brushed finish
- tap hole could be made to order



VANDAL-PROOF STAINLESS STEEL WASHBASIN, Ø 320 MM

SLUN 58 93580

- siphon and mounting set included, brushed finish
- assembling through the service hatch with special screws
- tap hole could be made to order



VANDAL-PROOF STAINLESS STEEL WASHBASIN, Ø 360 MM

SLUN 59 93590

- siphon and mounting set included, brushed finish
- assembling through the service hatch with special screws
- tap hole could be made to order



STAINLESS STEEL RECESSED WASHBASIN

SLUN 63 93630

- siphon, overflow and mounting set included, polished finish

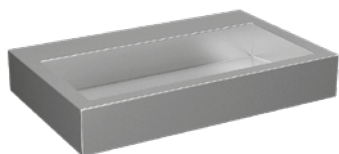


STAINLESS STEEL WASHBASIN FOR DISABLED PEOPLE

SLUN 66 93660

- siphon, overflow and mounting set included, brushed finish
- tap hole could be made to order

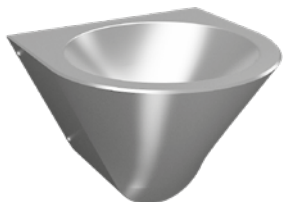




DESIGN STAINLESS STEEL WALL HUNG WASHBASIN

SLUN 68 93680

- siphon and mounting set included, brushed finish
- this washbasin could be installed only with wall-mounted tap



VANDAL-PROOF STAINLESS STEEL WASHBASIN, Ø 320 MM

SLUN 69 73690

- siphon and mounting set included, brushed finish
- tap hole could be made to order



STAINLESS STEEL WALL HUNG WASHBASIN

SLUN 73 73730

SLUN 73V 73731 black matt

- siphon, overflow and mounting set included



STAINLESS STEEL COUNTER TOP WASHBASIN

SLUN 73A 73732

SLUN 73AV 73733 black matt

- siphon, overflow and mounting set included



VANDAL-PROOF STAINLESS STEEL PIEZO MULTIFUNCTIONAL WASHBASIN

SLUN 70H 73701 230 V AC

- automatic soap dispenser, automatic water spout and automatic hand dryer in one
- siphon and M10 screws included, brushed finish
- rear assembling by M10 screws from the service room





VANDAL-PROOF STAINLESS STEEL PIEZO MULTIFUNCTIONAL WASHBASIN

SLUN 70P 73703 230 V AC

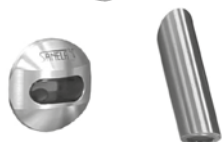
- automatic soap dispenser, automatic water spout and automatic hand dryer in one
- siphon included, brushed finish
- assembling through the service hatch



VANDAL-PROOF STAINLESS STEEL AUTOMATIC WALL-MOUNTED WASHBASIN

SLUN 71E 93711 for cold or premixed water, 24 V DC
SLUN 71EB 93712 for cold or premixed water, battery operated 6 V
SLUN 72E 93721 for cold and hot water, 24 V DC
SLUN 72EB 93722 for cold and hot water, battery operated 6 V
SLUN 72ET 93723 with thermostatic valve, 24 V DC
SLUN 72ETB 93724 with thermostatic valve, battery operated 6 V

- spout "Anti-suicidal", siphon and mounting set included, brushed finish
- assembling through the service hatch



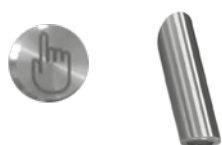
Detail of electronics with spout
Anti-suicidal



VANDAL-PROOF STAINLESS STEEL PIEZO WALL-MOUNTED WASHBASIN

SLUN 71P 93717 for cold or premixed water, 24 V DC
SLUN 71PB 73716 for cold or premixed water, battery operated 6 V
SLUN 72P 93727 for cold and hot water, 24 V DC
SLUN 72PB 73726 for cold and hot water, battery operated 6 V
SLUN 72PT 73727 with thermostatic valve, 24 V DC
SLUN 72PTB 73728 with thermostatic valve, battery operated 6 V

- spout "Anti-suicidal", siphon and mounting set included, brushed finish
- assembling through the service hatch



Detail of electronics with spout
Anti-suicidal



VANDAL-PROOF STAINLESS STEEL AUTOMATIC RECESSED WASHBASIN

SLUN 75E 93751 for cold or premixed water, 24 V DC
SLUN 75EB 93752 for cold or premixed water, battery operated 6 V
SLUN 76E 93761 for cold and hot water, 24 V DC
SLUN 76EB 93762 for cold and hot water, battery operated 6 V
SLUN 76ET 93763 with thermostatic valve, 24 V DC
SLUN 76ETB 93764 with thermostatic valve, battery operated 6 V

- siphon, M10 screws and mounting set included, brushed finish
- rear assembling by M10 screws from the service room







STAINLESS STEEL COUNTERTOP KEG WASHBASIN

SLUN 77 93774

- siphon and mounting set included, brushed finish



STAINLESS STEEL WALL HUNG KEG WASHBASIN WITH TAP HOLE

SLUN 77A 93775

- siphon and mounting set included, brushed finish

STAINLESS STEEL DRINKING FOUNTAINS



STAINLESS STEEL WALL HUNG DRINKING FOUNTAIN

SLUN 14 93140

- siphon, mounting set included, polished finish



STAINLESS STEEL WALL HUNG AUTOMATIC DRINKING FOUNTAIN

SLUN 14E 93141 24 V DC

SLUN 14EB 93142 battery operated 6 V

- siphon, mounting set included, polished finish



STAINLESS STEEL FLOOR MOUNTED DRINKING FOUNTAIN

SLUN 23 93230 height 800 mm

SLUN 23M 83236 for children, height 650 mm

- siphon and mounting set included

- inner bowl - high polished finish, sheeting - brushed finish



STAINLESS STEEL FLOOR MOUNTED AUTOMATIC DRINKING FOUNTAIN

SLUN 23E 93231 24 V DC

SLUN 23EB 93232 battery operated 6 V

- siphon and mounting set included

- inner bowl - high polished finish, sheeting - brushed finish





STAINLESS STEEL FLOOR MOUNTED DRINKING FOUNTAIN

- SLUN 43 93430** with self closing drinking spout
- SLUN 43C 83438** with cooler and self closing drinking spout

- siphon and mounting set included
 - inner bowl - high polished finish, sheeting - brushed finish



STAINLESS STEEL FLOOR MOUNTED DRINKING FOUNTAIN

- SLUN 43S 83435** with bottle filler and self closing drinking spout
- SLUN 43CS 83439** with bottle filler, cooler and self closing drinking spout

- siphon and mounting set included
 - inner bowl - high polished finish, sheeting - brushed finish



STAINLESS STEEL FLOOR MOUNTED AUTOMATIC DRINKING FOUNTAIN

- SLUN 43E 83437** 24 V DC
- SLUN 43EB 83436** battery operated 6 V

- siphon and mounting set included
 - inner bowl - high polished finish, sheeting - brushed finish



STAINLESS STEEL WALL HUNG DRINKING FOUNTAIN

- SLUN 62 93620**

- siphon and mounting set included, brushed finish



SLUN 62E

STAINLESS STEEL WALL HUNG AUTOMATIC DRINKING FOUNTAIN

- SLUN 62E 93621** 24 V DC
- SLUN 62EB 93622** battery operated 6 V
- SLUN 62ES 83626** with bottle filler, 24 V DC
- SLUN 62ESB 83627** battery operated 6 V

- siphon and mounting set included, brushed finish



SLUN 62ES

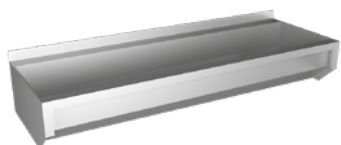


STAINLESS STEEL WALL HUNG DRINKING FOUNTAIN WITH BOTTLE FILLER

- SLUN 62S 83625**

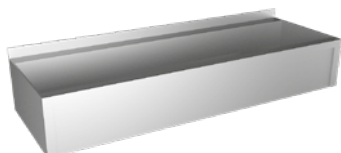
- siphon and mounting set included, brushed finish

STAINLESS STEEL WASHING TROUGHS

**STAINLESS STEEL TROUGH WITHOUT APRON**

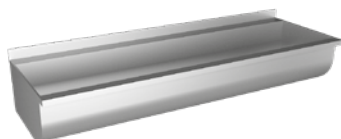
SLUN 10 93100 AISI - 304, length 1250 mm
SLUN 10L 73103 AISI - 316L, length 1250 mm

- siphon and mounting set included, brushed finish
- different lengths and tap holes could be made to order
- siphon hole is standardly on the right side (could be changed to order)

**STAINLESS STEEL TROUGH WITH APRON**

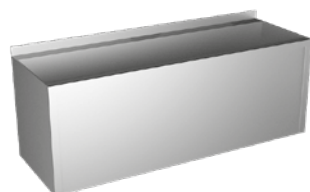
SLUN 10P 93107 AISI - 304, length 1250 mm
SLUN 10PL 73104 AISI - 316L, length 1250 mm

- siphon and mounting set included, brushed finish
- different lengths and tap holes could be made to order
- siphon hole is standardly on the right side (could be changed to order)

**STAINLESS STEEL ROUNDED TROUGH WITHOUT APRON**

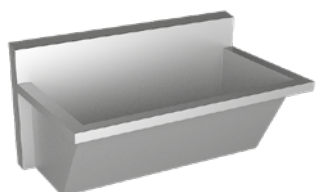
SLUN 10K 93109 AISI - 304, length 1250 mm
SLUN 10KL 73105 AISI - 316L, length 1250 mm

- siphon and mounting set included, brushed finish
- different lengths (max. 1500 mm) and tap holes could be made to order
- siphon hole is standardly on the right side (could be changed to order)

**VANDAL-PROOF STAINLESS STEEL TROUGH WITH APRON**

SLUN 10PA 73109 AISI - 304, length 1250 mm

- siphon and mounting set included, brushed finish
- assembling through two service hatches
- different lengths and tap holes could be made to order
- siphon hole is standardly on the right side (could be changed to order)
- could be made to order from stainless steel AISI - 316L

**STAINLESS STEEL TROUGH FOR HOSPITALS**

SLUN 54 93540 AISI - 304, length 750 mm
SLUN 54L 93541 AISI - 316L, length 750 mm
SLUN 55 93550 AISI - 304, length 1500 mm
SLUN 55L 93551 AISI - 316L, length 1500 mm
SLUN 56 93560 AISI - 304, length 2250 mm
SLUN 56L 93561 AISI - 316L, length 2250 mm

- siphon and mounting set included, brushed finish
- different lengths could be made to order
- siphon hole is standardly on the right side (could be changed to order)



SUPPORTIVE STAINLESS STEEL BRACKET FOR SLUN 10



SLZN 81 85810 for SLUN 10, AISI - 304
SLZN 81L 85811 for SLUN 10L, AISI - 316L

- supportive stainless steel bracket for longer or atypical troughs SLUN 10
- ensures the safety and strength of the trough
- we recommend for lengths 1500 - 2000 mm 1x bracket, for length 2100 - 3000 mm 2x brackets



VANDAL-PROOF STAINLESS STEEL TROUGH

SLUN 50EA 93502 for cold and hot water, two integrated infra-red electronics, length 1250 mm, 24 V DC

- vandal-proof stainless steel spouts and sensing heads
- siphon included, brushed finish
- assembling through two service hatches
- different lengths could be made to order
- siphon hole is standardly on the right side (could be changed to order)
- could be made to order from stainless steel AISI - 316L



Detail of electronics with stainless steel spout



STAINLESS STEEL TROUGH

SLUN 50E 93501 for cold and hot water, two integrated infra-red electronics, length 1250 mm, 24 V DC
SLUN 51E 93511 for cold and hot water, three integrated infra-red electronics, length 1900 mm, 24 V DC
SLUN 52E 93521 for cold and hot water, four integrated infra-red electronics, length 2500 mm, 24 V DC
SLUN 53E 93531 for cold and hot water, five integrated infra-red electronics, length 3000 mm, 24 V DC
SLUN 50ET 93503 with thermostatic valve, two integrated infra-red electronics, length 1250 mm, 24 V DC
SLUN 51ET 93513 with thermostatic valve, three integrated infra-red electronics, length 1900 mm, 24 V DC
SLUN 52ET 93523 with thermostatic valve, four integrated infra-red electronics, length 2500 mm, 24 V DC
SLUN 53ET 93533 with thermostatic valve, five integrated infra-red electronics, length 3000 mm, 24 V DC



Detail of electronics with stainless steel spout

- vandal-proof stainless steel spouts and sensing heads
- siphon included, brushed finish
- different lengths could be made to order
- siphon hole is standardly on the right side (could be changed to order)
- could be made to order from stainless steel AISI - 316L





Detail of electronics with stainless steel spout

STAINLESS STEEL TROUGH

- SLUN 50P 93506** for cold and hot water, two integrated piezo electronics, length 1250 mm, 24 V DC
- SLUN 51P 93515** for cold and hot water, three integrated piezo electronics, length 1900 mm, 24 V DC
- SLUN 52P 93524** for cold and hot water, four integrated piezo electronics, length 2500 mm, 24 V DC
- SLUN 53P 93534** for cold and hot water, five integrated piezo electronics, length 3000 mm, 24 V DC
- SLUN 50PT 93504** with thermostatic valve, two integrated piezo electronics, length 1250 mm, 24 V DC
- SLUN 51PT 93514** with thermostatic valve, three integrated piezo electronics, length 1900 mm, 24 V DC
- SLUN 52PT 93525** with thermostatic valve, four integrated piezo electronics, length 2500 mm, 24 V DC
- SLUN 53PT 93535** with thermostatic valve, five integrated piezo electronics, length 3000 mm, 24 V DC

- vandal-proof stainless steel spouts and sensing heads
- siphon included, brushed finish
- different lengths could be made to order
- siphon hole is standardly on the right side (could be changed to order)
- could be made to order from stainless steel AISI - 316L



Detail of electronics with stainless steel spout

VANDAL-PROOF STAINLESS STEEL TROUGH

- SLUN 50PA 93505** for cold and hot water, two integrated piezo electronics, length 1250 mm, 24 V DC

- vandal-proof stainless steel spouts
- siphon included, brushed finish
- assembling through two service hatches
- different lengths could be made to order
- siphon hole is standardly on the right side (could be changed to order)
- could be made to order from stainless steel AISI - 316L



Detail of electronics with stainless steel spout

VANDAL-PROOF STAINLESS STEEL WALL HUNG TROUGH

- SLUN 80EA 93802** for cold and hot water, two integrated infra-red electronics, length 1250 mm, 24 V DC

- vandal-proof stainless steel spouts and sensing heads
- siphon included, brushed finish
- assembling through two service hatches
- different lengths could be made to order
- siphon hole is standardly on the right side (could be changed to order)
- could be made to order from stainless steel AISI - 316L





Detail of electronics with stainless steel spout

STAINLESS STEEL WALL HUNG TROUGH

- SLUN 80E 93801** for cold and hot water, two integrated infra-red electronics, length 1250 mm, 24 V DC
- SLUN 81E 93811** for cold and hot water, three integrated infra-red electronics, length 1900 mm, 24 V DC
- SLUN 82E 93821** for cold and hot water, four integrated infra-red electronics, length 2500 mm, 24 V DC
- SLUN 83E 93831** for cold and hot water, five integrated infra-red electronics, length 3000 mm, 24 V DC
- SLUN 80ET 93803** with thermostatic valve, two integrated infra-red electronics, length 1250 mm, 24 V DC
- SLUN 81ET 93813** with thermostatic valve, three integrated infra-red electronics, length 1900 mm, 24 V DC
- SLUN 82ET 93823** with thermostatic valve, four integrated infra-red electronics, length 2500 mm, 24 V DC
- SLUN 83ET 93833** with thermostatic valve, five integrated infra-red electronics, length 3000 mm, 24 V DC

- vandal-proof stainless steel spouts and sensing heads
- siphon included, brushed finish
- different lengths could be made to order
- siphon hole is standardly on the right side (could be changed to order)
- could be made to order from stainless steel AISI - 316L



STAINLESS STEEL WALL HUNG TROUGH



Detail of electronics with stainless steel spout

- SLUN 80P 93804** for cold and hot water, two integrated piezo electronics, length 1250 mm, 24 V DC
- SLUN 81P 93814** for cold and hot water, three integrated piezo electronics, length 1900 mm, 24 V DC
- SLUN 82P 93824** for cold and hot water, four integrated piezo electronics, length 2500 mm, 24 V DC
- SLUN 83P 93834** for cold and hot water, five integrated piezo electronics, length 3000 mm, 24 V DC
- SLUN 80PT 93805** with thermostatic valve, two integrated piezo electronics, length 1250 mm, 24 V DC
- SLUN 81PT 93815** with thermostatic valve, three integrated piezo electronics, length 1900 mm, 24 V DC
- SLUN 82PT 93825** with thermostatic valve, four integrated piezo electronics, length 2500 mm, 24 V DC
- SLUN 83PT 93835** with thermostatic valve, five integrated piezo electronics, length 3000 mm, 24 V DC

- vandal-proof stainless steel spouts and sensing heads
- siphon included, brushed finish
- different lengths could be made to order
- siphon hole is standardly on the right side (could be changed to order)
- could be made to order from stainless steel AISI - 316L



VANDAL-PROOF STAINLESS STEEL WALL HUNG TROUGH



Detail of electronics with stainless steel spout

- SLUN 80PA 93800** for cold and hot water, two integrated piezo electronics, length 1250 mm, 24 V DC

- vandal-proof stainless steel spouts and sensing heads
- siphon included, brushed finish
- assembling through two service hatches
- different lengths could be made to order
- siphon hole is standardly on the right side (could be changed to order)
- could be made to order from stainless steel AISI - 316L



STAINLESS STEEL SINKS



STAINLESS STEEL SINK WITH APRON

SLUN 03 93030

- siphon and mounting set included, brushed finish
- tap hole could be made to order



STAINLESS STEEL DOUBLE SINK WITH APRON

SLUN 06 93060

- siphon and mounting set included, brushed finish
- tap hole could be made to order



STAINLESS STEEL DOUBLE SINK WITH APRON AND WITH SLU 10 MIXER

SLUN 06EX 93065 24 V DC
SLUN 06EXB 93066 battery operated 6 V

- siphon and mounting set included, brushed finish



STAINLESS STEEL SINK WITH INFRA-RED INTEGRATED ELECTRONICS

SLUN 04E 93041 for cold and hot water, 24 V DC
SLUN 04EB 93042 for cold and hot water, battery operated 6 V
SLUN 04ET 93043 with thermostatic valve, 24 V DC
SLUN 04ETB 93044 with thermostatic valve, battery operated 6 V

- vandal-proof stainless steel spouts and sensing heads
- siphon and mounting set included, brushed finish



Detail of electronics with stainless steel spout



STAINLESS STEEL WALL HUNG DOUBLE SINK WITH INTEGRATED ELECTRONICS

SLUN 07E 93071 for cold and hot water, 24 V DC
SLUN 07EB 93072 for cold and hot water, battery operated 6 V
SLUN 07ET 93073 with thermostatic valve, 24 V DC
SLUN 07ETB 93074 with thermostatic valve, battery operated 6 V

- vandal-proof stainless steel spouts and sensing heads
- siphon and mounting set included, brushed finish



Detail of electronics with stainless steel spout





SLUN 56 / SLU 25 / SLZN 39
SLZN 65 / SLZN 20X / SLZN 23X



STAINLESS STEEL FLOOR STANDING BULK SINK

SLUN 15 93150 700 x 700 x 850 mm

- siphon included, brushed finish
- tap hole could be made to order
- possibility of fine plane regulation by the screws on the supporting legs
- different dimensions could be made to order



STAINLESS STEEL FLOOR STANDING DOUBLE BULK SINK

SLUN 16 93160 1200 x 700 x 850 mm

- siphon included, brushed finish
- tap hole could be made to order
- possibility of fine plane regulation by the screws on the supporting legs
- different dimensions could be made to order

STAINLESS STEEL WORKING AND WASHING TABLES



- could be made to order in different modifications
- send inquiries to e-mail: poptavky@sanela.cz

MEDICAL FURNITURE

- all-stainless steel design according to EN 1.4301 (AISI 304) or EN 1.4404 (AISI 316L)

- seamless working desks

- perimeter sheeting



- possible to order in colour design according to RAL shade

- sink in different modifications

- all-extensible design drawers



- possibility of a mobile version of the products

- inner cabinet content could be made to order (shelf fixed, adjustable)

- reinforcement of working desk (desk covered with laminate)



www.sanitarninabytek.cz



VANDAL-PROOF STAINLESS STEEL URINAL

SLPN 06 91060

- siphon and mounting set included, brushed finish
- rear assembling by M10 screws from the service room



STAINLESS STEEL URINAL

SLPN 07 91070

SLPN 07C 91073 with integrated thermic flushing unit, 24 V DC

SLPN 07CZ 91075 with integrated thermic flushing unit and integrated power supply, 230 V AC

SLPN 07CB 91074 with integrated thermic flushing unit, battery operated 6 V

- siphon and mounting set included, brushed finish
- assembling through the service hatch with special screws (TORX)



STAINLESS STEEL URINAL WITH INTEGRATED INFRA-RED FLUSHING UNIT

SLPN 07E 91071 24 V DC

SLPN 07EB 91072 battery operated 6 V

- siphon and mounting set included, brushed finish
- assembling through the service hatch with special screws (TORX)



STAINLESS STEEL URINAL

SLPN 09 91090

SLPN 09C 91093 with integrated thermic flushing unit, 24 V DC

SLPN 09CZ 91095 with integrated thermic flushing unit and integrated power supply, 230 V AC

SLPN 09CB 91094 with integrated thermic flushing unit, battery operated 6 V

- siphon and mounting set included, brushed finish
- assembling through the service hatch with special screws (TORX)



STAINLESS STEEL KEG URINAL WITH INTEGRATED INFRA-RED FLUSHING UNIT

SLPN 10E 91109 24 V DC

SLPN 10EB 91105 battery operated 6 V

- siphon and mounting set included, brushed finish
- assembling by mounting plate with special screws (TORX)





STAINLESS STEEL URINAL TROUGH



- SLPN 02 91020** without electronics, one flushing head, length 600 mm
- SLPN 02C 91023** with integrated thermic flushing unit, length 600 mm, 24V DC
- SLPN 02CB 91024** with integrated thermic flushing unit, length 600 mm, battery operated 6 V

- siphon and mounting set included, brushed finish
- different lengths could be made to order



STAINLESS STEEL URINAL TROUGH WITH INTEGRATED INFRA-RED FLUSHING UNIT

- SLPN 02E 91021** length 600 mm, 24 V DC
- SLPN 02EB 91022** length 600 mm, battery operated 6 V

- siphon and mounting set included, brushed finish
- different lengths could be made to order



STAINLESS STEEL URINAL TROUGH

- SLPN 03 91030** without electronics, two flushing heads, length 1200 mm
- SLPN 03C 91033** with integrated thermic flushing unit, length 1200 mm, 24V DC
- SLPN 03CB 91034** with integrated thermic flushing unit, length 1200 mm, battery operated 6 V

- siphon and mounting set included, brushed finish
- different lengths could be made to order



STAINLESS STEEL URINAL TROUGH WITH TWO INTEGRATED INFRA-RED FLUSHING UNITS

- SLPN 03E 91031** length 1200 mm, 24 V DC
- SLPN 03EB 91037** length 1200 mm, battery operated 6 V

- siphon and mounting set included, brushed finish
- different lengths could be made to order



STAINLESS STEEL URINAL TROUGH

- SLPN 04 91040** without electronics, three flushing heads, length 1800 mm
- SLPN 04C 91043** with integrated thermic flushing unit, length 1800 mm, 24V DC
- SLPN 04CB 91044** with integrated thermic flushing unit, length 1800 mm, battery operated 6 V

- siphon and mounting set included, brushed finish
- different lengths could be made to order





STAINLESS STEEL URINAL TROUGH WITH THREE INTEGRATED INFRA-RED FLUSHING UNITS

SLPN 04E 91041 length 1800 mm, 24 V DC

SLPN 04EB 91047 length 1800 mm, battery operated 6 V

- siphon and mounting set included, brushed finish
- different lengths could be made to order



STAINLESS STEEL URINAL TROUGH

SLPN 05 91050 length 2400 mm

- siphon and mounting set included, brushed finish
- different lengths could be made to order



STAINLESS STEEL URINAL TROUGH WITH FOUR INTEGRATED INFRA-RED FLUSHING UNITS

SLPN 05E 91051 length 2400 mm, 24 V DC

SLPN 05EB 91057 length 2400 mm, battery operated 6 V

- siphon and mounting set included, brushed finish
- different lengths could be made to order



STAINLESS STEEL FLOOR-STANDING URINAL TROUGH

SLPN 02Z 91026 length 600 mm

SLPN 03Z 91036 length 1200 mm

SLPN 04Z 91046 length 1800 mm

SLPN 05Z 91056 length 2400 mm

- flushing pipe
- siphon and mounting set included, brushed finish
- different lengths could be made to order



TIME-CONTROLLED FLUSHING UNIT FOR SLPN 02(Z) – 05(Z), 230V AC

SLP 01Z 01011 230 V AC



STAINLESS STEEL DIVIDING CURTAIN



STAINLESS STEEL DIVIDING CURTAIN

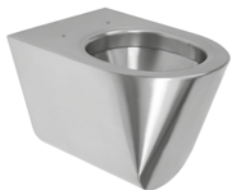
SLZN 13 95130



STAINLESS STEEL TOILETS

**STAINLESS STEEL FLOOR STANDING TOILET****SLWN 03 94030**

- without cover seat, siphon and mounting set included, brushed finish
- rear assembling by mounting plate
- cover seat hole plugs included

**STAINLESS STEEL HANGING TOILET****SLWN 04 94040**

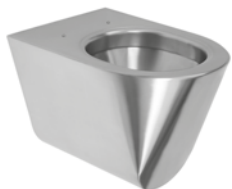
- without cover seat, siphon and mounting set included, brushed finish
- rear assembling by mounting plate
- cover seat hole plugs included

**VANDAL-PROOF STAINLESS STEEL FLOOR STANDING TOILET****SLWN 05 94050**

- without cover seat, siphon and M10 screws included, brushed finish
- rear assembling by M10 screws from the service room

**STAINLESS STEEL HANGING TOILET FOR DISABLED PEOPLE****SLWN 11 94110**

- without cover seat, siphon included, brushed finish
- rear assembling by mounting plate
- cover seat hole plugs included

**VANDAL-PROOF STAINLESS STEEL HANGING TOILET****SLWN 12 94120**

- without cover seat, siphon included, brushed finish
- rear assembling by M10 screws from the service room

**STAINLESS STEEL FLOOR STANDING TOILET FOR DISABLED PEOPLE****SLWN 13 94130**

- without cover seat, siphon included, brushed finish
- rear assembling through the service hatch
- cover seat hole plugs included
- waste outlet into the floor or wall





VANDAL-PROOF STAINLESS STEEL FLOOR STANDING TOILET

SLWN 14 94140

- without cover seat, siphon included, brushed finish
- rear assembling through the service hatch
- cover seat hole plugs included
- waste outlet into the floor or wall



STAINLESS STEEL FLOOR STANDING TOILET

SLWN 30 94302

- without cover seat, siphon included, brushed finish
- assembling through the service hatch
- waste outlet into the floor or wall



STAINLESS STEEL TOILETS WITH THE TANK



STAINLESS STEEL TOILET WITH A TANK (BOTTOM FILLING)

SLWN 15 94150

- manual flushing 4/6 l
- without cover seat, siphon included, brushed finish
- assembling through the service hatch
- cover seat hole plugs included
- waste outlet into the floor or wall



STAINLESS STEEL TOILET FOR DISABLED PEOPLE WITH A TANK (BOTTOM FILLING)

SLWN 16 94160

- manual flushing 4/6 l
- without cover seat, siphon included, brushed finish
- assembling through the service hatch
- cover seat hole plugs included
- waste outlet into the floor or wall



PLASTIC BLACK TOILET COVER SEAT

SLZN 31C 95313

- stainless steel pants
- hole dimensions 225 x 280 mm
- outer width 355 mm
- distance of front edge from screw axis 425 mm
- destined for SLWN 03, SLWN 04, SLWN 11, SLWN 13, SLWN 14, SLWN 15, SLWN 16



STAINLESS STEEL SQUATTING PAN



STAINLESS STEEL SQUATTING PAN

SLWN 07 94070

SLWN 07D 94071 without stainless steel siphon

- two flushing heads and stainless steel siphon included, brushed finish



SET FOR SLWN 07 FOR CONNECTING TO AUTOMATIC FLUSHING UNIT SLW 01XX

SLA 27 06270

VANDAL-PROOF COMBINATION UNITS



VANDAL-PROOF CORNER COMBINATION UNIT

SLWN 08P 94082 floor standing toilet on the right side

SLWN 08L 94081 floor standing toilet on the left side

- without cover seat, with push buttons, M10 screws included, brushed finish
- rear assembling by M10 screws from the service room



VANDAL-PROOF PIEZO CORNER COMBINATION UNIT

SLWN 08PP 94085 floor standing toilet on the right side, 24 V DC

SLWN 08LP 94086 floor standing toilet on the left side, 24 V DC

- without cover seat, with piezo button for WC and piezo button for washbasin spout
- siphon and mounting set included, brushed finish
- rear assembling by M10 screws from the service room



VANDAL-PROOF CORNER COMBINATION UNIT

SLWN 18P 94182 floor standing toilet on the right side

SLWN 18L 94181 floor standing toilet on the left side

- without cover seat, with push buttons, brushed finish
- assembling through the service hatch





VANDAL-PROOF PIEZO CORNER COMBINATION UNIT

SLWN 18PP 94185 floor standing toilet on the right side, 24 V DC
SLWN 18LP 94186 floor standing toilet on the left side, 24 V DC

- without cover seat, with piezo button for WC and piezo button for washbasin spout
- siphon and mounting set included, brushed finish
- assembling through the service hatch



VANDAL-PROOF STRAIGHT COMBINATION UNIT

SLWN 28 94282 floor standing toilet

- without cover seat, with push buttons, brushed finish
- rear assembling by M10 screws from the service room



VANDAL-PROOF PIEZO STRAIGHT COMBINATION UNIT

SLWN 28P 94283 floor standing toilet, 24 V DC

- without cover seat, with piezo button for WC and piezo button for washbasin spout
- siphon and mounting set included, brushed finish
- rear assembling by M10 screws from the service room



VANDAL-PROOF STRAIGHT COMBINATION UNIT

SLWN 38 94382 floor standing toilet

- without cover seat, with push buttons, brushed finish
- assembling through the service hatch



VANDAL-PROOF PIEZO STRAIGHT COMBINATION UNIT

SLWN 38P 94383 floor standing toilet, 24 V DC

- without cover seat, with piezo button for WC and piezo button for washbasin spout
- siphon and mounting set included, brushed finish
- assembling through the service hatch







STAINLESS STEEL AUTOMATIC INFRA-RED AND PIEZO SHOWER PANELS



STAINLESS STEEL AUTOMATIC SHOWER PANEL FOR COLD OR PREMIXED WATER

- SLSN 01E 92011** 24 V DC
- SLSN 01EB 92013** battery operated 6 V

- could be made to order from stainless steel AISI - 316L



STAINLESS STEEL AUTOMATIC SHOWER PANEL

- SLSN 02E 92021** with a mixer, 24 V DC
- SLSN 02EB 92023** with a mixer, battery operated 6 V
- SLSN 02ET 92022** with a thermostatic mixer, 24 V DC
- SLSN 02ETB 92024** with a thermostatic mixer, battery operated 6 V

- could be made to order from stainless steel AISI - 316L



STAINLESS STEEL PIEZO SHOWER PANEL FOR COLD OR PREMIXED WATER

- SLSN 01P 92018** 24 V DC
- SLSN 01PB 92019** battery operated 6 V

- could be made to order from stainless steel AISI - 316L



STAINLESS STEEL PIEZO SHOWER PANEL

- SLSN 02P 92028** with a mixer, 24 V DC
- SLSN 02PB 92029** with a mixer, battery operated 6 V
- SLSN 02PT 82021** with a thermostatic mixer, 24 V DC
- SLSN 02PTB 82022** with a thermostatic mixer, battery operated 6 V

- could be made to order from stainless steel AISI - 316L



STAINLESS STEEL SHOWER TRAYS



STAINLESS STEEL SHOWER TRAY

SLSN 06 92060 700 x 700 mm

- siphon and cover included, brushed finish



STAINLESS STEEL SHOWER TRAY

SLSN 07 92070 800 x 800 mm

- siphon and cover included, brushed finish



STAINLESS STEEL SHOWER TRAY

SLSN 08 92080 900 x 900 mm

- siphon and cover included, brushed finish



STAINLESS STEEL SHOWER TRAY

SLSN 10 82100 1000 x 1000 mm

- siphon and cover included, brushed finish

STAINLESS STEEL BATHTUBS



STAINLESS STEEL BATH TUB

SLSN 09 92090 1700 x 800 x 460 mm

- siphon, brushed finish
- different dimensions could be made to order



STAINLESS STEEL BABY BATH TUB

SLSN 11 92110 700 x 400 mm

- siphon included, brushed finish



**STAINLESS STEEL COUNTERTOP KEG WASHBASIN****SLUN 77 93774**

- siphon and mounting set included, brushed finish
- assembling by screws

**STAINLESS STEEL WALL HUNG KEG WASHBASIN****SLUN 77A 93775**

- siphon and mounting set included, brushed finish

**STAINLESS STEEL KEG URINAL WITH INTEGRATED INFRA-RED FLUSHING UNIT****SLPN 10E 91109 24 V DC****SLPN 10EB 91105 battery operated 6 V**

- siphon and mounting set included, brushed finish
- assembling by mounting plate with special screws (TORX)

**STAINLESS STEEL KEG MIRROR****SLZN 82 85821 mirror - high polished finish, frame - brushed finish****STAINLESS STEEL KEG BAR STOOL****SLZN 92 85920 seat made of handmade oak wood, brushed finish**



EYES AND BODY SAFETY SHOWERS



WALL-MOUNTED EYES SHOWER WITH TWO SPRAY HEADS AND START LEVER

SLSN 19 92190



STAINLESS STEEL EYES SHOWER WITH TWO SPRAY HEADS, BOWL AND START LEVER

SLSN 20 82200



HAND EYES SHOWER WITH ONE SPRAY HEAD WITH HOLDER ON THE WALL

SLSN 21 92210



HAND EYES SHOWER WITH ONE SPRAY HEAD, RAKE ANGLE 45°, WITH A GROMMET INTO THE DESK

SLSN 21D 92211



HAND EYES SHOWER WITH ONE SPRAY HEAD WITH HOLDER IN THE WALL

SLSN 21V 92215



HAND EYES SHOWER WITH TWO SPRAY HEADS WITH HOLDER ON THE WALL

SLSN 22 92220



HAND EYES SHOWER WITH TWO SPRAY HEADS, RAKE ANGLE 45°, WITH A GROMMET INTO THE DESK

SLSN 22D 92221



HAND EYES SHOWER WITH TWO SPRAY HEADS WITH HOLDER IN THE WALL

SLSN 22V 92225





FREESTANDING BODY AND EYES SHOWER - BODY SHOWER WITH START TRIGGER AND SELF-CLEANING SHOWER HEAD, EYES SHOWER WITH TWO SPRAY HEADS, BOWL AND START LEVER

SLSN 23 92230



WALL-MOUNTED BODY AND EYES SHOWER - BODY SHOWER WITH START TRIGGER AND SELF-CLEANING SHOWER HEAD, EYES SHOWER WITH TWO SPRAY HEADS, BOWL AND START LEVER

SLSN 23Z 82235



FREESTANDING OUTDOOR BODY SHOWER WITH START TRIGGER AND HEATING, TILL MAX. -20°C

SLSN 23H 82236



FREESTANDING OUTDOOR BODY AND EYES SHOWER WITH START TRIGGER AND HEATING, TILL MAX. -20°C

SLSN 23HO 82237



WALL-MOUNTED BODY SHOWER WITH START TRIGGER AND SELF-CLEANING SHOWER HEAD

SLSN 24 92240



FREESTANDING EYES SHOWER WITH TWO SPRAY HEADS, BOWL AND START LEVER

SLSN 25 92250



PORTABLE EYES AND BODY SHOWER WITH ONE SPRAY HEAD (REFILLABLE)

SLSN 26 92260



FREESTANDING OUTDOOR EYES SHOWER WITH HEATING, TILL MAX. -20°C

SLSN 27 92270



- used for the first aid in accidents caused by fire, chemicals and other substances

STAINLESS STEEL CLEANER'S SINKS

**STAINLESS STEEL CLEANER'S SINK****SLVN 01 98010**

- back splash, siphon, grating, overflow set and mounting set included, brushed finish
- waste output Ø 50 mm

**COMPOSITE STAINLESS STEEL FLOOR STANDING CLEANER'S SINK WITH A WASHBASIN****SLVN 02 98020****SLVN 02E 98021** with tap SLU 10, 24 V DC**SLVN 02EB 98022** with tap SLU 10B, battery operated 6 V

- siphon and grating included, brushed finish
- waste output Ø 50 mm

**STAINLESS STEEL FLOOR STANDING CLEANER'S SINK****SLVN 03 98030**

- siphon and grating included, brushed finish
- waste output Ø 50 mm

**VANDAL-PROOF STAINLESS STEEL FLOOR STANDING CLEANER'S SINK WITH APRON****SLVN 03A 98037**

- siphon and grating included, brushed finish
- waste output Ø 50 mm
- assembling through the service hatch

**STAINLESS STEEL CLEANER'S SINK****SLVN 04 98040**

- back splash, siphon, grating, overflow and mounting set included, brushed finish
- waste output Ø 50 mm

**STAINLESS STEEL CLEANER'S SINK****SLVN 05 98050**

- back splash, siphon, grating, overflow and mounting set included, brushed finish
- waste output Ø 50 mm



STAINLESS STEEL WALL HUNG CLEANER'S SINK

SLVN 06 58060

- back splash, siphon, grating, overflow and mounting set included, brushed finish
- waste output \varnothing 50 mm



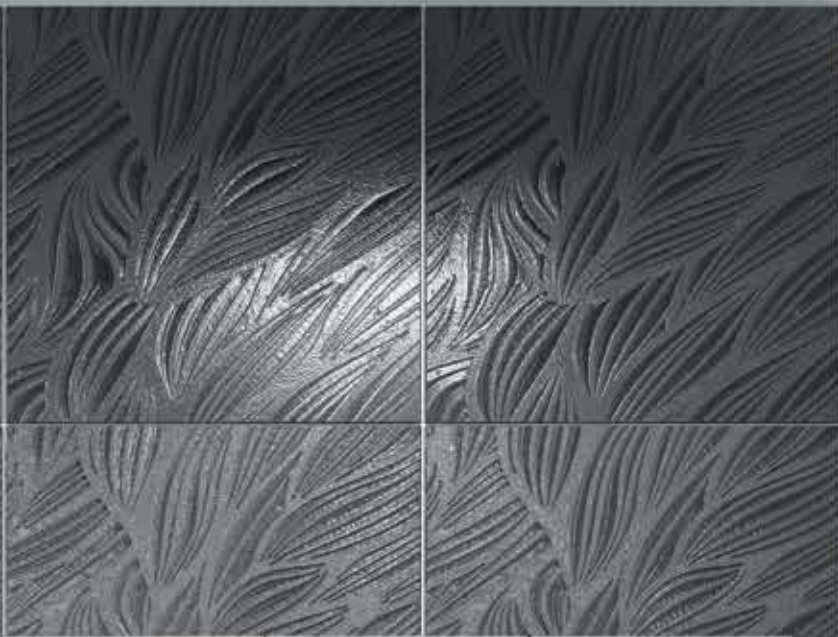
MOP HOLDER

SLZN 69 95690

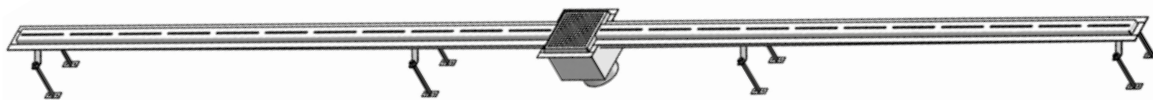
- max. mop \varnothing 25 mm







STAINLESS STEEL SWIMMING POOL SLOTTED DRAINS



STAINLESS STEEL FLOOR DRAIN TROUGH

- SLKN 01 69010** for swimming pools, length 2 m, AISI - 304
- SLKN 01L 69017** for swimming pools, length 2 m, AISI - 316L

- stainless steel waste outlet with a stink trap included
- bottom bar not included
- different lengths could be made to order

STAINLESS STEEL BATHROOM FLOOR DRAINS



BATHROOM FLOOR DRAIN ASSEMBLED IN THE OPEN SPACE

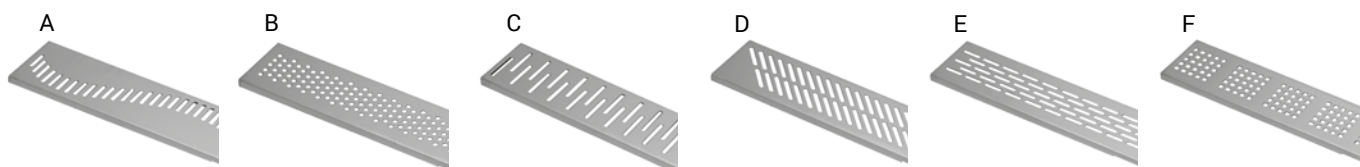
- SLKN 03A - SLKN 03FX** length 750 mm
- SLKN 04A - SLKN 04FX** length 950 mm
- SLKN 05A - SLKN 05FX** length 1150 mm
- SLKN 17A - SLKN 17FX** length 850 mm



BATHROOM FLOOR DRAIN ASSEMBLED NEAR BY THE WALL

- SLKN 06A - SLKN 06FX** length 750 mm
- SLKN 07A - SLKN 07FX** length 950 mm
- SLKN 08A - SLKN 08FX** length 1150 mm
- SLKN 18A - SLKN 18FX** length 850 mm

- siphon and grid included
- index X - brushed finish
- different lengths could be made to order



BATHROOM FLOOR DRAIN FOR FOR TILES INSERT IN THE OPEN SPACE

- SLKN 09 69090** length 750 mm
- SLKN 10 69100** length 950 mm
- SLKN 11 69110** length 1150 mm
- SLKN 12 69120** length 850 mm

BATHROOM FLOOR DRAIN FOR FOR TILES INSERT NEAR BY THE WALL

- SLKN 13 69130** length 750 mm
- SLKN 14 69140** length 950 mm
- SLKN 15 69150** length 1150 mm
- SLKN 16 69160** length 850 mm

- siphon and grid included
- different lengths could be made to order



- plastic siphon Ø 40/50 mm and grid for tiles included
- removable smell trap
- the possibility of direct drainage of the waste piping



COIN, RFID AND TOKEN MACHINES

For machines it is possible to use these coins: 1 and 2 EUR, metal token. Other currencies could be made to order.

INTERACTIVE CONTROL

- the user can start or stop the water directly in the shower by the push button on the stainless steel panel, so that this version is more cost-saving, where in most cases the consumption of water is lower compared to version with direct control
- in the last third of the credit the end of water supply the user is warned by interrupting of water flow

CHOICE OF SHOWER

- choice of shower by the user - before inserting a coin or token the user chooses the requested shower by the push button
- choice of shower by the machine - after inserting a coin or a token the machine assigns the shower to the user and starts water flow on several seconds to indicate the chosen shower



COIN AND TOKEN SHOWER TIMER FOR ONE TO THREE SHOWERS

- SLZA 01N 88013** 24 V DC, choice of shower by the machine
SLZA 01LN 88017 24 V DC, choice of shower by the user

- material stainless steel AISI 304, could be made to order from stainless steel AISI 316L, brushed finish



RECESSED COIN AND TOKEN SHOWER TIMER FOR ONE TO THREE SHOWERS

- SLZA 01NZ 88014** 24 V DC, choice of shower by the machine
SLZA 01LNZ 88018 24 V DC, choice of shower by the user

- mounted into the wall
 - material stainless steel AISI 304, could be made to order from stainless steel AISI 316L, brushed finish



COIN AND TOKEN SHOWER TIMER

- SLZA 02N 88023** 24 V DC, choice of shower by the machine
SLZA 02LN 88029 24 V DC, choice of shower by the user

- material stainless steel AISI 304, could be made to order from stainless steel AISI 316L, brushed finish



RECESSED COIN AND TOKEN SHOWER TIMER

- SLZA 02NZ 88024** 24 V DC, choice of shower by the machine
SLZA 02LNZ 88020 24 V DC, choice of shower by the user

- mounted into the wall
 - material stainless steel AISI 304, could be made to order from stainless steel AISI 316L, brushed finish





COIN AND TOKEN SHOWER TIMER FOR ONE SHOWER

SLZA 03N 88033 24 V DC

- material stainless steel AISI 304, could be made to order from stainless steel AISI 316L, brushed finish



RECESSED COIN AND TOKEN SHOWER TIMER FOR ONE SHOWER

SLZA 03NZ 88034 24 V DC

- mounted into the wall
- material stainless steel AISI 304, could be made to order from stainless steel AISI 316L, brushed finish



SHOWER CONTROLS WITH PIEZO BUTTON FOR COIN AND TOKEN MACHINES WITH INTERACTIVE CONTROL



SHOWER CONTROL WITH PIEZO BUTTON

SLZA 20P 88207 for premixed water



SHOWER CONTROL WITH PIEZO BUTTON

SLZA 20PH 88208 for cold and hot water, water temperature regulation by mixer



SHOWER CONTROL WITH PIEZO BUTTON

SLZA 20PT 88209 for cold and hot water, water temperature regulation by thermostatic mixer



STAINLESS STEEL WALL MOUNTED SHOWER PANEL WITH PIEZO BUTTON

SLZA 21P 88217 for premixed water

SLZA 21PH 88218 for cold and hot water, water temperature regulation by mixer

SLZA 21PT 88219 for cold and hot water, water temperature regulation by thermostatic mixer

SLZA 21P SLZA 21PH SLZA 21PT

COIN AND TOKEN SHOWER TIMERS – DIRECT CONTROL

For machines it is possible to use these coins: 1 and 2 EUR, metal token. Other currencies could be made to order.

DIRECT CONTROL

- after preset delay the machine starts water flow for paid time without possibility to start and stop water directly in shower
- in the last third of the credit the end of water supply the user is warned by interrupting of water flow

CHOICE OF SHOWER

- choice of shower by the user - before inserting a coin or token the user chooses the requested shower by the push button
- choice of shower by the machine - after inserting a coin or a token the machine assigns the shower to the user and starts water flow on several seconds to indicate the chosen shower



COIN AND TOKEN SHOWER TIMER FOR ONE TO THREE SHOWERS

- SLZA 01M 88011** 24 V DC, choice of shower by the machine
- SLZA 01LM 88015** 24 V DC, choice of shower by the user

- material stainless steel AISI 304, could be made to order from stainless steel AISI 316L, brushed finish



RECESSED COIN AND TOKEN SHOWER TIMER FOR ONE TO THREE SHOWERS

- SLZA 01MZ 88012** 24 V DC, choice of shower by the machine
- SLZA 01LMZ 88016** 24 V DC, choice of shower by the user

- mounted into the wall
- material stainless steel AISI 304, could be made to order from stainless steel AISI 316L, brushed finish



COIN AND TOKEN SHOWER TIMER

- SLZA 02M 88021** 24 V DC, choice of shower by the machine
- SLZA 02LM 88027** 24 V DC, choice of shower by the user

- material stainless steel AISI 304, could be made to order from stainless steel AISI 316L, brushed finish



RECESSED COIN AND TOKEN SHOWER TIMER

- SLZA 02MZ 88022** 24 V DC, choice of shower by the machine
- SLZA 02LMZ 88028** 24 V DC, choice of shower by the user

- mounted into the wall
- material stainless steel AISI 304, could be made to order from stainless steel AISI 316L, brushed finish





COIN AND TOKEN SHOWER TIMER FOR ONE SHOWER

SLZA 03M 88031 24 V DC

- material stainless steel AISI 304, could be made to order from stainless steel AISI 316L, brushed finish



RECESSED COIN AND TOKEN SHOWER TIMER FOR ONE SHOWER

SLZA 03MZ 88032 24 V DC

- mounted into the wall
- material stainless steel AISI 304, could be made to order from stainless steel AISI 316L, brushed finish



AUTOMATIC SHOWER CONTROLS FOR COIN AND TOKEN MACHINES WITH DIRECT CONTROL



SHOWER CONTROL WITHOUT PIEZO BUTTON

SLZA 20 88200 for premixed water



SHOWER CONTROL WITHOUT PIEZO BUTTON

SLZA 20H 88205 for cold and hot water, water temperature regulation by mixer



SHOWER CONTROL WITHOUT PIEZO BUTTON

SLZA 20T 88206 for cold and hot water, water temperature regulation by thermostatic mixer



STAINLESS STEEL WALL MOUNTED SHOWER PANEL WITHOUT PIEZO BUTTON

SLZA 21 88210 for premixed water

SLZA 21H 88215 for cold and hot water, water temperature regulation by mixer

SLZA 21T 88216 for cold and hot water, water temperature regulation by thermostatic mixer

SLZA 21 SLZA 21H SLZA 21T

TOKEN SHOWER PANELS

For these shower panels only SLZA 52 tokens are used, the tokens are thrown into the shower panel.

- the user can start or stop the water directly in the shower by the push button on the stainless steel panel
- in the last third of the credit the end of water supply the user is warned by interrupting of water flow
- in case of renting the whole area it is possible to switch panels into mode „FOR FREE“



SLZA 28 SLZA 29 SLZA 29T

STAINLESS STEEL TOKEN SHOWER PANEL

- SLZA 28 89286** cold or premixed water, 24 V DC
- SLZA 29 89290** with mixer for cold and hot water, 24 V DC
- SLZA 29T 89291** with thermostatic mixer for cold and hot water, 24 V DC

- material stainless steel AISI 304, could be made to order from stainless steel AISI 316L, brushed finish

COIN AND TOKEN MACHINES FOR DOOR OPENING



SLZA 40
SLZA 40G

SLZA 40V
SLZA 40GV

COIN AND TOKEN MACHINE FOR DOOR OPENING, FOR 12 V LOCK

- SLZA 40 88400** 24 V DC
- SLZA 40V 88404** euro key, 24 V DC

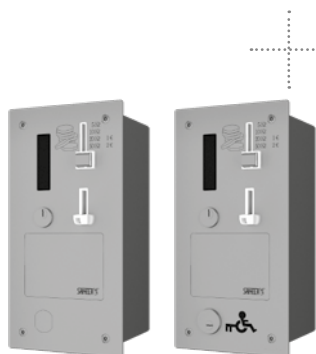
- material stainless steel AISI 304, could be made to order from stainless steel AISI 316L, brushed finish



COIN AND TOKEN MACHINE FOR DOOR OPENING WITH GSM MODULE, FOR 12V LOCK

- SLZA 40G 88402** 24 V DC
- SLZA 40GV 88406** euro key, 24 V DC

- SMS message about full cash register, including the possibility of reporting the current balance.
- material stainless steel AISI 304, could be made to order from stainless steel AISI 316L, brushed finish



SLZA 40Z
SLZA 40GZ

SLZA 40VZ
SLZA 40GVZ

RECESSED COIN AND TOKEN MACHINE FOR DOOR OPENING, FOR 12 V LOCK

- SLZA 40Z 88401** 24 V DC
- SLZA 40VZ 88405** euro key, 24 V DC

- mounted into the wall
- material stainless steel AISI 304, could be made to order from stainless steel AISI 316L, brushed finish



RECESSED COIN AND TOKEN MACHINE FOR DOOR OPENING WITH GSM MODULE, FOR 12V LOCK

- SLZA 40GZ 88403** 24 V DC
- SLZA 40GVZ 88407** euro key, 24 V DC

- SMS message about full cash register, including the possibility of reporting the current balance.
- material stainless steel AISI 304, could be made to order from stainless steel AISI 316L, brushed finish



COIN AND TOKEN MACHINES FOR SINGLE-PHASE APPLIANCES



COIN AND TOKEN MACHINE FOR SINGLE-PHASE APPLIANCES

SLZA 41 88410 for washing machine, hairdryer, TV, etc., 230 V AC, 24 V DC

- material stainless steel AISI 304, could be made to order from stainless steel AISI 316L, brushed finish



RECESSED COIN AND TOKEN MACHINE FOR SINGLE-PHASE APPLIANCES

SLZA 41Z 88411 for washing machine, hairdryer, TV, etc., 230 V AC, 24 V DC

- mounted into the wall
- material stainless steel AISI 304, could be made to order from stainless steel AISI 316L, brushed finish



COIN AND TOKEN MACHINE FOR TWO TO EIGHT SINGLE-PHASE APPLIANCES

SLZA 04L 88040 for washing machine, hairdryer, TV, etc., 230 V AC, choice by the user, 24 V DC

- material stainless steel AISI 304, could be made to order from stainless steel AISI 316L, brushed finish



RECESSED COIN AND TOKEN MACHINE FOR TWO TO EIGHT SINGLE-PHASE APPLIANCES

SLZA 04LZ 88041 for washing machine, hairdryer, TV, etc., 230 V AC, choice by the user, 24 V DC

- mounted into the wall
- material stainless steel AISI 304, could be made to order from stainless steel AISI 316L, brushed finish



ACCESSORIES



UNIVERSAL REMOTE CONTROL FOR AN ADJUSTMENT OF PARAMETERS

SLD 04 07040 of token machines

SLD 05 07050 of coin and token machines



DISTRIBUTOR

SLZA 15 88150 of valves on DIN rail

SLZA 17 88170 of push buttons on DIN rail



SET OF 50 PCS. OF TOKENS FOR COIN OR TOKEN MACHINES

SLZA 50 88500 for SLZA 01xx, SLZA 02xx, SLZA 03xx, SLZA 04xx, SLZA 40 and SLZA 41



SET OF 50 PCS TOKENS FOR SHOWER PANELS

SLZA 52 88520 SLZA 28, SLZA 29, SLZA 29T



POWER SUPPLY CONTACTOR (FOR SINGLE-PHASE APPLIANCE)

SLZA 53 88530 24 V DC

RFID PROGRAM

comprehensive control system
with chip technology



PROGRAMMING STATION

- necessary to control the whole system
- used as remote control for adjustment and programming of the system
- used for creating of individual tokens
- allows three levels of authorized access to control (administrator, extended, basic),
the scope of individual authorizations is determined by administrator
- used for charging and recharging the credit on the user token
- allows information export about recharging the individual tokens to the PC



PAIRING TOKEN

The producer creates the pairing token on the base of customer's specifications

- pair, link individual devices (shower controls, washing machines, door locks, etc.) with programming stations into one closed unit, where only tokens charged on the connected programming station will be active, other tokens, e.g. from next campsite, won't work here



SETTING TOKEN

The producer creates the setting token on the base of customer's specifications.

- sets individual devices to the required parameters (e.g. number of consumed credits for a certain time of showering, for a use of television, for switch on the washing machine)



USER TOKEN

The operator (system administrator) creates profiles of individual user tokens on the programming station, e.g.:

- standard user token
- VIP user token - e.g. for staff - possibility to use of all devices for free
- user token for handicap people or parents with children - allows entry to specially created spaces

OPTIONS TO SET THE TOKEN

At the programming station it is possible to charge required number of credits on the user token, where one credit will be e.g. 2 EUR. The user then pays for use of showers, washing machine, hairdryer etc. by individual credits, that are deducted from token when using of the device. Of course it is possible to set the device activation without credit deduction, e.g. entrance to the area, door lock opening etc. The big advantage is the use of one token for more devices and during whole stay. The token is possible to recharge at the area staff.



CREDIT READERS

SLZA 30CZ

Recessed credit value reader. Used for check credit value on token.



SLZA 30C

Credit value reader. Used for check credit value on token.



SHOWER PANELS AND SHOWER CONTROLS

- after inserting the charged token into the panel, it is indicated by flashing the red diode
- system reacts on the push of the button by immediate water flow and lighting on the ten red diodes, which with gradual lighting off counts down the shower time
 - the user can start and stop the water directly in the shower
- in the last third of the paid time before the end of the water supply, the user is notified by interruption of the water flow



DOOR LOCKS

- after putting the token to machine the door lock opens
- it is possible to restrict the entrance e.g. to WC only for staying guests



SINGLE-PHASE APPLIANCES

- appliances switch on only after putting the token to machine
- it is possible to set for each appliance the level of payment, i.e. number of credits for a certain time
 - display shows the remaining operating time of the appliance



BARRIERS

- after putting the token to machine the barrier opens
- restriction of the entrance to the area only for staying guests or only for vehicles with paid parking in the area

RFID TOKEN MACHINES FOR SHOWER CONTROLS



RFID TOKEN SHOWER CONTROL

SLZA 35 89350 for cold or premixed water, 24 V DC



STAINLESS STEEL RFID TOKEN SHOWER PANEL

SLZA 31 89310 for cold or premixed water, 24 V DC

SLZA 32 89321 with mixer for cold and hot water, 24 V DC

SLZA 32T 89320 with thermostatic mixer for cold and hot water, 24 V DC

- material stainless steel AISI 304, could be made to order from stainless steel AISI 316L, brushed finish

SLZA 31 SLZA 32 SLZA 32T

TEMPERATURE REGULATION



SHOWER CONTROL WITH MIXER

SLZA 35H 89351

RFID TOKEN MACHINES FOR SINGLE-PHASE APPLIANCES



RFID TOKEN MACHINE FOR SINGLE-PHASE APPLIANCE 230 V

SLZA 30B 89305
24 V DC



RECESSED RFID TOKEN MACHINE FOR SINGLE-PHASE APPLIANCE 230 V

SLZA 30BZ 89306
24 V DC

RFID TOKEN MACHINES FOR DOOR OPENING



RFID TOKEN MACHINE FOR DOOR OPENING FOR 12 V LOCK

SLZA 30A 89303
24 V DC



RECESSED RFID TOKEN MACHINE FOR DOOR OPENING FOR 12 V LOCK

SLZA 30AZ 89304
24 V DC

RFID TOKEN MACHINES FOR BARRIER OPENING



**RFID TOKEN MACHINE
FOR BARRIER OPENING**

**SLZA 30E
89309
24 V DC**



**RECESSED RFID TOKEN
MACHINE FOR BARRIER OPENING**

**SLZA 30EZ
89318
24 V DC**

PROGRAMMING AND CHARGING STATION



STAND ALONE PROGRAMMING STATION FOR RFID TOKENS

SLZA 30 89300 24 V DC



ACCESSORIES



**CREDIT VALUE READER FOR
RFID TOKENS**

SLZA 30C
89301
24 V DC



**RECESSED CREDIT VALUE
READER FOR RFID TOKENS**

SLZA 30CZ
89302
24 V DC



SLZA 54

SLZA 54A

**PROTECTIVE COVER ABOVE
THE MACHINES**

SLZA 54 **SLZA 54A**
88540 **88541**



**POWER SUPPLY CONTACTOR (FOR
SINGLE-PHASE APPLIANCE)**

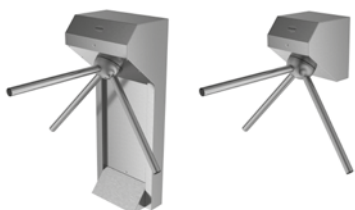
SLZA 53
88530
24 V DC



SET OF 50 PCS RFID TOKENS FOR TOKEN MACHINES

SLZA 51	88510	colour yellow
SLZA 51B	88511	colour blue
SLZA 51R	88512	colour red
SLZA 55	88551	RFID Wristband, colour yellow

TURNSTILES FOR COIN MACHINES



TURNSTILE FOR COIN MACHINES

SLKT 01 **38010** Three-arm turnstile, wall mounted
SLKT 01S **38011** Three-arm turnstile, including stand

- send inquiries to email: poptavky@sanela.cz







STAINLESS STEEL HOLDER FOR BIG COILS OF TOILET PAPER, POLISHED

SLZN 01 95010

- max. size of coil \varnothing 290 x 100 mm
- min. \varnothing of the toilet paper core is 55 mm



STAINLESS STEEL TOILET PAPER HOLDERS

SLZN 09 95090 polished
SLZN 09N 95091 black matt



STAINLESS STEEL TOILET PAPER HOLDER, BRUSHED

SLZN 26 95260

- for two coils of toilet paper (max. \varnothing 135 mm)



STAINLESS STEEL RECESSED TOILET PAPER HOLDER, BRUSHED

SLZN 26Z 95261

- mounted into the wall
- for two coils of toilet paper (max. \varnothing 135 mm)



STAINLESS STEEL HOLDER FOR BIG COILS OF TOILET PAPER, BRUSHED

SLZN 37 95370

- max. size of coil \varnothing 290 x 100 mm
- min. \varnothing of the toilet paper core is 55 mm



STAINLESS STEEL HOLDERS FOR BIG COILS OF TOILET PAPER

SLZN 37X 95371 brushed
SLZN 37V 95372 black matt

- max. size of coil \varnothing 290 x 100 mm
- min. \varnothing of the toilet paper core is 55 mm



STAINLESS STEEL TOILET PAPER HOLDER, VERTICAL, FOR TWO COILS, BRUSHED

SLZN 47D 85478



STAINLESS STEEL TOILET PAPER HOLDER, BRUSHED

SLZN 47H 85474



STAINLESS STEEL SUPPLY BIN FOR SANITARY BAGS, BRUSHED

SLZN 53 95530

- dimensions 95 x 27 x 136 mm



STAINLESS STEEL TOILET SEAT COVER DISPENSER, BRUSHED

SLZN 66 95660

- dimensions 400 x 50 x 280 mm

STAINLESS STEEL SUPPLY BINS FOR PAPER TOWELS AND WASTE BINS



STAINLESS STEEL SUPPLY BIN FOR A FOLDER PAPER TOWELS, POLISHED

SLZN 03 95030

- dimensions 340 x 110 x 265 mm

- max. size of filling 260 x 100 mm



STAINLESS STEEL SUPPLY BIN FOR FOLDER PAPER TOWELS, BRUSHED

SLZN 20 95200

- dimensions 340 x 110 x 265 mm

- max. size of filling 260 x 100 mm



STAINLESS STEEL SUPPLY BINS FOR FOLDER PAPER TOWELS

SLZN 20X 95201 brushed

SLZN 20V 95202 black matt

- dimensions 340 x 110 x 265 mm

- max. size of filling 260 x 100 mm



STAINLESS STEEL WASTE BIN WITH A PLASTIC INSERT, POLISHED

SLZN 10 95100 volume 3 l, Ø 170 x 245 mm

SLZN 11 95110 volume 5 l, Ø 205 x 270 mm

SLZN 12 95120 volume 20 l, Ø 295 x 440 mm

SLZN 15 95150 volume 12 l, Ø 250 x 380 mm



STAINLESS STEEL WASTE BIN WITH A PLASTIC INSERT, BRUSHED

SLZN 10X	75106	volume 3 l, Ø 170 x 245 mm
SLZN 11X	95111	volume 5 l, Ø 205 x 270 mm
SLZN 12X	95121	volume 20 l, Ø 295 x 440 mm
SLZN 15X	75156	volume 12 l, Ø 250 x 380 mm



STAINLESS STEEL SUPPLY BIN FOR FOLDER PAPER TOWELS WITH A WASTE BIN, BRUSHED

SLZN 21 95210

- dimensions 710 x 325 x 165 mm
- max size of filling 260x100 mm
- capacity about 600/800 paper towels
- removable stainless steel waste bin, volume 7,5 l



STAINLESS STEEL RECESSED SUPPLY BIN FOR FOLDER PAPER TOWELS WITH A WASTE BIN, BRUSHED

SLZN 21Z 95211

- mounted into the wall
- dimensions 790 x 330 x 125 mm (on the wall)
- 600/800 paper towels, waste bin volume 7,5 l



STAINLESS STEEL WALL HUNG WASTE BIN, VOLUME 12 L, BRUSHED

SLZN 22 95220

- dimensions 300 x 160 x 350 mm



STAINLESS STEEL WALL HUNG WASTE BIN, VOLUME 26,5 L

SLZN 23	95230	polished
SLZN 23X	75236	brushed
SLZN 23V	75231	black matt

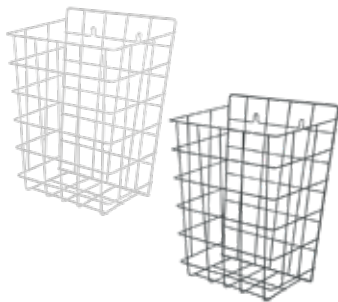
- dimensions 360 x 160 x 435 mm



STAINLESS STEEL WALL HUNG WASTE BIN WITH A COVER, VOLUME 4,5 L, BRUSHED

SLZN 24 95240

- dimensions 192 x 97 x 253 mm

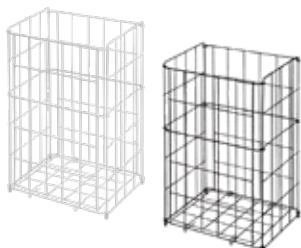


STEEL WIRE WALL HUNG WASTE BIN, WHITE, VOLUME 15 L

SLZN 40 95400 white

SLZN 40V 95401 black

- dimensions 385 x 290 x 130 mm

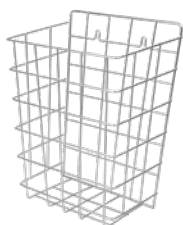


STEEL WIRE FLOOR STANDING WASTE BIN, WHITE, VOLUME 47 L

SLZN 42 95420 white

SLZN 42V 95421 black

- dimensions 540 x 340 x 260 mm



STAINLESS STEEL WIRE WALL HUNG WASTE BIN, VOLUME 15 L

SLZN 41 95410

- dimensions 385 x 290 x 130 mm



STAINLESS STEEL WIRE FLOOR STANDING WASTE BIN, VOLUME 47 L

SLZN 43 95430

- dimensions 540 x 340 x 260 mm



STAINLESS STEEL FLOOR STANDING WASTE BIN, VOLUME 67 L, BRUSHED

SLZN 49AA 85490 legend PLASTIC ONLY

SLZN 49AB 85491 legend PAPER ONLY

SLZN 49AC 85492 legend GLASS ONLY

SLZN 49AD 85493 legend GENERAL WASTE

- different legend could be made to order



STAINLESS STEEL RECESSED SUPPLY BIN FOR A FOLDER PAPER TOWELS, BRUSHED

SLZN 56Z 95561

- mounted into the wall

- dimensions 435 x 328 x 122 mm





STAINLESS STEEL RECESSED WASTE BIN, VOLUME 11 L, BRUSHED

SLZN 63Z 95631

- mounted into the wall
- dimensions 360 x 710 x 110 mm



STAINLESS STEEL SQUARED WASTE BIN WITH A PLASTIC INSERT, BRUSHED

- SLZN 78X 85780** volume 6 l, dimensions 285 x 205 x 245 mm
- SLZN 79X 85790** volume 12 l, dimensions 395 x 235 x 285 mm
- SLZN 80X 85800** volume 20 l, dimensions 450 x 280 x 310 mm



ROUND WASTE BIN, POWDER COATING

- SLZN 96A 85960** colour white, volume 13 l
- SLZN 96B 85961** colour grey, volume 13 l
- SLZN 96E 85962** colour black, volume 13 l

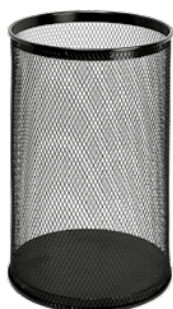
- dimensions 230 x 230 x 335 mm



ROUND WASTE BIN, POWDER COATING

- SLZN 97A 85970** colour white, volume 21 l
- SLZN 97B 85971** colour grey, volume 21 l
- SLZN 97E 85972** colour black, volume 21 l

- dimensions 305 x 305 x 340 mm



ROUND WASTE BIN, POWDER COATING

- SLZN 98A 85980** colour white, volume 32 l
- SLZN 98B 85981** colour grey, volume 32 l
- SLZN 98E 85982** colour black, volume 32 l

- dimensions 305 x 305 x 510 mm

- dispenser is suitable for hand disinfection in public areas with a higher frequency of visitors (hospitals, schools, companies, sports grounds etc.)
- easy and quick 5 l inner plastic container replacement
- stainless steel vandal-proof design
- disinfection dosage is possible to adjust by remote control



AUTOMATIC STAINLESS STEEL LIQUID AND GEL DISINFECTION DISPENSER, VOLUME 5 L, BRUSHED

SLZN 59E 95590 230 V AC
SLZN 59EB 95592 12 V

- inner plastic container included
- external power supply for wall socket included (for SLZN 59E)
- rechargeable batteries included 12 V (for SLZN 59EB)
- remote control SLD 03 included
- material stainless steel AISI 304, could be made to order from stainless steel AISI 316L



AUTOMATIC STAINLESS STEEL LIQUID AND GEL DISINFECTION DISPENSER WITH STAND, VOLUME 5 L, BRUSHED

SLZN 59ES 95591 230 V AC
SLZN 59ESB 95593 12 V

- inner plastic container included
- external power supply for wall socket included (for SLZN 59ES)
- rechargeable batteries included 12 V (for SLZN 59ESB)
- remote control SLD 03 included
- holes for drip tray SLZN 60
- material stainless steel AISI 304, could be made to order from stainless steel AISI 316L



DRIP TRAY FOR SLZN 59E, SLZN 59ES, BRUSHED

SLZN 60 95600



RECHARGEABLE BATTERY PACK FOR SLZN 59EB, 12 V

SLA 58 06580 12 V



CHARGER FOR BATTERY PACK FOR SLA 58, 230 AC/12 V

SLA 58N 06581



AUTOMATIC WALL-MOUNTED LIQUID SOAP AND DISINFECTION DISPENSER, INNER PLASTIC CONTAINER, VOLUME 0,85 L, BRUSHED, 4,5 V

SLZN 71E 85717
SLZN 71ESB 85718 with stand

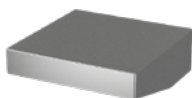
- dimensions 108 x 268 x 107 mm



AUTOMATIC WALL-MOUNTED FOAM SOAP DISPENSER, VOLUME 0,85 L, BRUSHED

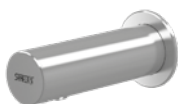
SLZN 72E 85727

- dimensions 108 x 268 x 107 mm



DRIP TRAY FOR SLZN 71E, SLZN 71ESB AND SLZN 72E

SLZN 61 95610



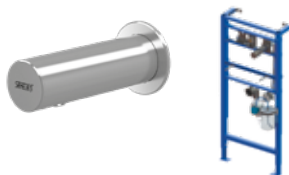
AUTOMATIC STAINLESS STEEL WALL-MOUNTED SOAP DISPENSER, SOAP CANISTER 1 L

SLZN 83E 85831 230 V AC



BLACK AUTOMATIC STAINLESS STEEL WALL-MOUNTED SOAP DISPENSER, SOAP CANISTER 1 L

SLZN 83EV 85837 230 V AC



AUTOMATIC STAINLESS STEEL WALL-MOUNTED SOAP DISPENSER, SOAP CANISTER 1 L, MOUNTING FRAME SLR 24 INCLUDED

SLZN 83ER 85838 230 V AC

SLZN 83EVR 85839 230 V AC, black



AUTOMATIC STAINLESS STEEL WALL-MOUNTED SOAP DISPENSER WITH CENTRAL SOAP CANISTER

SLZN 83E2 85832 2 spouts, soap canister 6 l, 230 V AC

SLZN 83E3 85833 3 spouts, soap canister 6 l, 230 V AC

SLZN 83E4 85834 4 spouts, soap canister 6 l, 230 V AC

SLZN 83E5 85835 5 spouts, soap canister 6 l, 230 V AC

SLZN 83E6 85836 6 spouts, soap canister 6 l, 230 V AC



AUTOMATIC STAINLESS STEEL WALL-MOUNTED SOAP DISPENSER WITH CENTRAL SOAP CANISTER, MOUNTING FRAME SLR 24 INCLUDED

SLZN 83ER2	85812	2 spouts, soap canister 6 l, 230 V AC
SLZN 83ER3	85813	3 spouts, soap canister 6 l, 230 V AC
SLZN 83ER4	85814	4 spouts, soap canister 6 l, 230 V AC
SLZN 83ER5	85815	5 spouts, soap canister 6 l, 230 V AC
SLZN 83ER6	85816	6 spouts, soap canister 6 l, 230 V AC



AUTOMATIC STAINLESS STEEL COUNTERTOP SOAP DISPENSER, SOAP CANISTER 1 L

SLZN 91E	85911	230 V AC
-----------------	--------------	----------



AUTOMATIC STAINLESS STEEL COUNTERTOP SOAP DISPENSER WITH CENTRAL SOAP CANISTER

SLZN 91E2	85912	2 spouts, soap canister 6 l, 230 V AC
SLZN 91E3	85913	3 spouts, soap canister 6 l, 230 V AC
SLZN 91E4	85914	4 spouts, soap canister 6 l, 230 V AC
SLZN 91E5	85915	6 spouts, soap canister 6 l, 230 V AC
SLZN 91E6	85916	6 spouts, soap canister 6 l, 230 V AC

STAINLESS STEEL SOAP AND DISINFECTION DISPENSERS



STAINLESS STEEL LIQUID SOAP DISPENSER, POLISHED

SLZN 05	95050	volume 1,25 l, dimensions 120 x 70 x 210 mm
SLZN 06	95060	volume 0,85 l, dimensions 110 x 60 x 180 mm
SLZN 07	95070	volume 0,5 l, dimensions 95 x 55 x 145 mm



RECESSED LIQUID SOAP DISPENSER, POLISHED

SLZN 17	95170
----------------	--------------

- max. thickness of desk 90 mm
- needful Ø desk hole 22 mm
- volume 0,6 l



STAINLESS STEEL LIQUID SOAP DISPENSER, VOLUME 1,2 L, BRUSHED

SLZN 39	95390
----------------	--------------

- dimensions 125 x 100 x 210 mm



RECESSED SOAP DISPENSER TO THE WALL, VOLUME 1 L, BRUSHED

SLZN 62Z 95621

- dimensions 260 x 150 x 100 mm



WALL-MOUNTED LIQUID SOAP DISPENSER, INNER PLASTIC CONTAINER, VOLUME 1 L, BRUSHED

SLZN 73 85730

- dimensions 250 x 100 x 120 mm



STAINLESS STEEL LIQUID SOAP AND DISINFECTION DISPENSER - ELBOW OPERATION, VOLUME 0,5L, BRUSHED

SLZN 74 85740

- dimensions 245 x 82 x 160 mm



PLASTIC ACCESSORIES FOR HEALTH CARE



SUPPLY BIN FOR BIG COILS OF TOILET PAPER, MATERIAL WHITE PLASTIC ABS

SLDN 01 72010

- max. Ø 260 mm

- min. Ø of the toilet paper core is 55 mm or 70 mm



SUPPLY BIN FOR COIL OF PAPER TOWELS, MATERIAL WHITE PLASTIC ABS

SLDN 02 72020

- dimensions 260 x 230 x 300 mm

- max. size of coil Ø 210 mm



SUPPLY BIN FOR FOLDER PAPER TOWELS, MATERIAL WHITE PLASTIC ABS

SLDN 03 72030

- dimensions 260 x 140 x 300 mm

- max. size of filling 230 x 250 mm (650 pcs. of paper towels)



DISPENSER, MATERIAL WHITE PLASTIC ABS

SLDN 05 72050 of foam soap, volume 1 l

SLDN 06 72060 of liquid/gel disinfection and soap, volume 1 l

SLDN 07 72070 of liquid disinfection with spray spatter, volume 1 l

- dimensions 245 x 110 x 115 mm





**AUTOMATIC LIQUID SOAP AND DISINFECTION DISPENSER, VOLUME 1 L,
MATERIAL WHITE PLASTIC ABS, 6 V**

SLDN 08E 72081
SLDN 08ES 72083 with stand

- dimensions 282 x 145 x 140 mm



**AUTOMATIC LIQUID DISINFECTION DISPENSER WITH SPRAY SPATTER, VOLUME 1 L,
MATERIAL WHITE PLASTIC ABS, 6 V**

SLDN 08ED 72082
SLDN 08EDS 72084 with stand

- dimensions 282 x 145 x 140 mm



**WALL-MOUNTED LIQUID/GEL DISINFECTION AND SOAP DISPENSER,
VOLUME 700 ML, WHITE PLASTIC ABS**

SLDN 99A 72991

- dimensions 206 x 110 x 90 mm



SUPPLY BIN FOR BIG COILS OF TOILET PAPER, MATERIAL BLACK PLASTIC ABS

SLDN 01N 72011

- max. Ø 260 mm
- min. Ø of the toilet paper core is 55 mm or 70 mm



SUPPLY BIN FOR BIG COILS OF PAPER TOWELS, MATERIAL BLACK PLASTIC ABS

SLDN 02N 72021

- dimensions 260 x 230 x 300 mm
- max. size of coil Ø 210 mm



SUPPLY BIN FOR FOLDER PAPER TOWELS, MATERIAL BLACK PLASTIC ABS

SLDN 03N 72031

- dimensions 260 x 140 x 300 mm
- max. size of filling 230 x 250 mm (650 pcs. of paper towels)



DISPENSER, MATERIAL BLACK PLASTIC ABS

SLDN 05N 72051 of foam soap, volume 1 l
SLDN 06N 72061 of liquid/gel disinfection and soap
SLDN 07N 72071 of liquid disinfection with spray spatter, volume 1 l

- dimensions 245 x 110 x 115 mm



STAINLESS STEEL HOOKS AND TOILET BRUSHES



VANDAL-PROOF STAINLESS STEEL HOOK, BRUSHED

SLZN 45 95450



STAINLESS STEEL HOOK, Ø 20 X 50 MM, BRUSHED

SLZN 46 95460



STAINLESS STEEL HOOK, Ø 20 X 100 MM, BRUSHED

SLZN 46D 85468



STAINLESS STEEL DOUBLE HOOK

SLZN 57 95570 polished

SLZN 57X 75576 brushed



STAINLESS STEEL HOOK, POLISHED

SLZN 67 95670



STAINLESS STEEL HOOK

SLZN 68 95680 polished

SLZN 68N 95681 black matt



VANDAL-PROOF STAINLESS STEEL HOOK WITH "ANTI-SUICIDAL" SYSTEM, BRUSHED

SLZN 70 95700





SLZD 34N

SLZD 29N



SLZD 14N





SLZD 34N

SLZD 29N



SLZD 14N





STAINLESS STEEL WALL MOUNTED TOILET BRUSH

SLZN 19 95190 polished
SLZN 19X 75196 brushed

- stainless steel cover dimensions Ø 120 x 260 mm
 - mounted on the wall or on the floor

AUTOMATIC HAND DRYERS



AUTOMATIC WALL MOUNTED HAND DRYER, WHITE COVER

SLO 01L 79011 230 V AC



AUTOMATIC WALL MOUNTED HAND DRYER, GREY COVER

SLO 01S 79012 230 V AC



AUTOMATIC WALL MOUNTED HAND DRYER WITH STAINLESS STEEL BRUSHED COVER

SLO 02E 79024 230 V AC

- revolving chromed air outlet included



MECHANICAL WALL MOUNTED HAND DRYER WITH STAINLESS STEEL BRUSHED COVER AND PUSH BUTTON

SLO 02M 79023 230 V AC

- revolving chromed air outlet included

STAINLESS STEEL BATHROOM ACCESSORIES



STAINLESS STEEL HANGER WITH TWO HOOKS

SLZD 01 62010 polished
 SLZD 01N 62011 black matt

- dimensions 55 x 55 x 54 mm



STAINLESS STEEL HANGER

SLZD 02 62020 polished
 SLZD 02N 62021 black matt

- dimensions 55 x 55 x 54 mm



STAINLESS STEEL HANGER

SLZD 03 62030 polished
 SLZD 03N 62031 black matt

- dimensions 55 x 55 x 60 mm



STAINLESS STEEL HANGER WITH TWO HOOKS

SLZD 04 62040 polished
 SLZD 04N 62041 black matt

- dimensions 82 x 55 x 55 mm



STAINLESS STEEL TOWEL RING

SLZD 05 62050 polished
 SLZD 05N 62051 black matt

- dimensions 194 x 170 x 54 mm



STAINLESS STEEL TOWEL RING

SLZD 06 62060 polished
 SLZD 06N 62061 black matt

- dimensions 182 x 170 x 54 mm



STAINLESS STEEL TOWEL BAR

SLZD 07 62070 polished
 SLZD 07N 62071 black matt

- dimensions 412 x 77 x 55 mm



STAINLESS STEEL TOWEL BAR

SLZD 08 62080 polished
SLZD 08N 62081 black matt

- dimensions 500 x 77 x 55 mm



STAINLESS STEEL DOUBLE TOWEL RING

SLZD 10 62100 polished
SLZD 10N 62101 black matt

- dimensions 500 x 115 x 55 mm



STAINLESS STEEL DOUBLE TOWEL RING

SLZD 11 62110 polished
SLZD 11N 62111 black matt

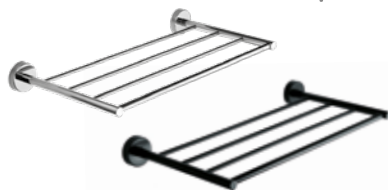
- dimensions 600 x 115 x 55 mm



STAINLESS STEEL TOWEL RACK

SLZD 34 62340 polished
SLZD 34N 62341 black matt

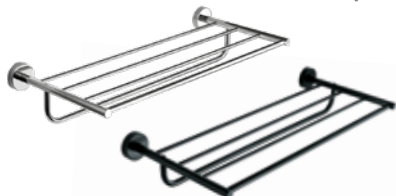
- dimensions 514 x 250 x 55 mm



STAINLESS STEEL TOWEL RACK

SLZD 35 62350 polished
SLZD 35N 62351 black matt

- dimensions 630 x 250 x 55 mm



STAINLESS STEEL TOWEL RACK WITH RAIL

SLZD 36 62360 polished
SLZD 36N 62361 black matt

- dimensions 514 x 250 x 92 mm



STAINLESS STEEL TOWEL RACK WITH RAIL

SLZD 37 62370 powierzchnia błyszcząca
SLZD 37N 62371 black matt

- dimensions 630 x 250 x 92 mm



STAINLESS STEEL SOAP HOLDER

SLZD 18 62180 polished
 SLZD 18N 62181 black matt

- dimensions 147 x 138 x 55 mm



STAINLESS STEEL SOAP HOLDER

SLZD 19 62190 polished
 SLZD 19N 62191 black matt

- dimensions 230 x 147 x 55 mm



STAINLESS STEEL CORNER SHELF

SLZD 25 62250 polished
 SLZD 25N 62251 black matt

- dimensions 218 x 218 x 77 mm



STAINLESS STEEL CORNER SHELF

SLZD 26 62260 polished
 SLZD 26N 62261 black matt

- dimensions 218 x 218 x 77 mm



STAINLESS STEEL CORNER DOUBLE SHELF

SLZD 28 62280 polished
 SLZD 28N 62281 black matt

- dimensions 318 x 218 x 218 mm



STAINLESS STEEL CORNER DOUBLE SHELF

SLZD 29 62290 polished
 SLZD 29N 62291 black matt

- dimensions 283 x 218 x 218 mm



STAINLESS STEEL GLASS HOLDER

SLZD 12 62120 polished
SLZD 12N 62121 black matt

- dimensions 119 x 68 x 97 mm



STAINLESS STEEL SOAP HOLDER

SLZD 13 62130 polished
SLZD 13N 62131 black matt

- dimensions 141 x 112 x 55 mm



STAINLESS STEEL GLASS SOAP DISPENSER

SLZD 14 62140 polished
SLZD 14N 62141 black matt

- dimensions 160 x 127 x 71 mm



STAINLESS STEEL DOUBLE GLASS HOLDER

SLZD 15 62150 polished
SLZD 15N 62151 black matt

- dimensions 206 x 100 x 98 mm



STAINLESS STEEL HOLDER FOR GLASS AND SOAP

SLZD 17 62170 polished
SLZD 17N 62171 black matt

- dimensions 229 x 123 x 98 mm



STAINLESS STEEL TOILET BRUSH WITH GLAS - WALL MOUNTED

SLZD 24 62240 polished
SLZD 24N 62241 black matt

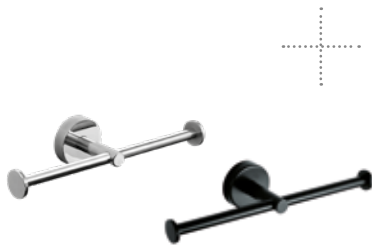
- dimensions 350 x 160 x 116 mm



STAINLESS STEEL TOILET ROLL HOLDER

SLZD 20 62200 polished
 SLZD 20N 62201 black matt

- dimensions 142 x 79 x 55 mm



STAINLESS STEEL DOUBLE TOILET ROLL HOLDER

SLZD 21 62210 polished
 SLZD 21N 62211 black matt

- dimensions 229 x 79 x 55 mm



STAINLESS STEEL TOILET ROLL HOLDER

SLZD 23 62230 polished
 SLZD 23N 62231 black matt

- dimensions 139 x 77 x 55 mm



STAINLESS STEEL TOILET BRUSH

SLZD 30 62300 polished
 SLZD 30N 62301 black matt

- dimensions 400 x Ø 89 x 89 mm
 - floor standing



STAINLESS STEEL TOILET BRUSH

SLZD 31 62310 polished
 SLZD 31N 62311 black matt

- dimensions 400 x Ø 96 x 89 mm
 - wall mounted



STAINLESS STEEL BATH HANDLE

SLZD 33 62330 polished
 SLZD 33N 62331 black matt

- dimensions 353 x 78 x 55 mm



SPECIAL IMPREGNATION TO INCREASE THE ADHESION OF 3M VHB TAPE

SLA 59 06590



STAINLESS STEEL MIRROR

SLZN 27 95270 dimensions 500 x 400 x 7 mm
SLZN 30 95300 dimensions 600 x 400 x 7 mm

- different dimensions could be made to order



STAINLESS STEEL FOLDING MIRROR FOR DISABLED PEOPLE

SLZN 52 95520 dimensions 600 x 400 x 7 mm



STAINLESS STEEL MIRROR FOR DISABLED PEOPLE

SLZN 55 95550 dimensions 900 x 400 x 7 mm



STAINLESS STEEL KEG MIRROR

SLZN 82 85821 mirror - high polished finish, frame - brushed finish

TOILET COVER SEAT, SIPHON



BLACK PLASTIC TOILET COVER SEAT

SLZN 31C 95313

- stainless steel hinges
- inner dimensions 225 x 280 mm
- width 355 mm
- dimension from screws to the frontal edge 425 mm
- destined for SLWN 03, SLWN 04, SLWN 11, SLWN 13, SLWN 14, SLWN 15, SLWN 16



DESIGN STAINLESS STEEL SIPHON, BRUSHED

SLZN 35 95350

- sleeve nut G 5/4" included
- without waste valve
- outlet Ø 32 mm

STAINLESS STEEL PICTOGRAMS, SEPARATORS, SHELF



PICTOGRAM

- SLZN 44AA 75445 toilet men
- SLZN 44AB 75444 toilet women
- SLZN 44AC 75443 toilet for disabled
- SLZN 44AD 75442 toilet men and women
- SLZN 44B 75441 information
- SLZN 44C 85449 telephone
- SLZN 44D 85448 snack
- SLZN 44E 85447 first aid
- SLZN 44F 85446 no smoking
- SLZN 44G 85445 cloakroom
- SLZN 44H 85444 cleaning room
- SLZN 44J 85443 lift
- SLZN 44K 85442 waiting room
- SLZN 44L 85441 post box
- SLZN 44M 95449 stairs
- SLZN 44N 95448 no open fire
- SLZN 44P 95447 electrical device
- SLZN 44R 95446 shower
- SLZN 44S 95445 baby changing room
- SLZN 44T 95444 toilet
- SLZN 44U 95443 fork and knife
- SLZN 44V 95442 sauna



- dimensions 120 x 120 mm, brushed finish
 - different types of pictograms could be made to order
 - 3M self-sealing tape included



PLASTER SEPARATOR

SLZN 64 95640



SAND SEPARATOR

SLZN 64N 95648



STAINLESS STEEL SHELF, DIMENSIONS 800 X 100 X 60 MM, BRUSHED

SLZN 65 95650

- different lengths could be made to order



STAINLESS STEEL SHAMPOO HOLDER, BRUSHED

SLZN 76 85760

- different lengths could be made to order



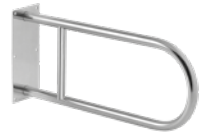
STAINLESS STEEL HAND RAIL UNIVERSAL, LENGTH 300 MM

SLZM 02 49020 polished
SLZM 02X 49024 brushed



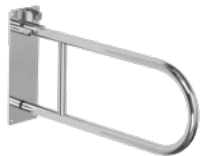
STAINLESS STEEL HAND RAIL UNIVERSAL, LENGTH 600 MM

SLZM 02D 49021 polished
SLZM 02DX 49025 brushed



STAINLESS STEEL HAND RAIL, SOLID

SLZM 03 49030 length 550 mm, polished
SLZM 03X 49034 length 550 mm, brushed
SLZM 03D 49031 length 900 mm, polished
SLZM 03DX 49035 length 900 mm, brushed



STAINLESS STEEL HAND RAIL, FOLDING

SLZM 03S 49032 length 550 mm, polished
SLZM 03SX 49036 length 550 mm, brushed
SLZM 03SD 49033 length 830 mm, polished
SLZM 03SDX 49037 length 830 mm, brushed



STAINLESS STEEL HAND RAIL, SOLID, WITH TOILET PAPER HOLDER

SLZM 03DP 49038 length 900 mm, polished
SLZM 03DXP 49039 length 900 mm, brushed



STAINLESS STEEL HAND RAIL, FOLDING, WITH TOILET PAPER HOLDER

SLZM 03SDP 39031 length 830 mm, polished
SLZM 03SDXP 39032 length 830 mm, brushed



STAINLESS STEEL BATH HAND RAIL, SOLID, DIMENSIONS 305/420 MM

SLZM 04 49040 polished
SLZM 04X 49044 brushed



STAINLESS STEEL UNIVERSAL HAND RAIL, SOLID, LENGTH 1200 MM

SLZM 05 49050 polished
SLZM 05X 49054 brushed





STAINLESS STEEL FOLDING CHAIR TO THE SHOWER

SLZM 06 49060 dimensions 450 x 450 mm, max. load 130 kg, brushed



DIAPER CHANGER



PLASTIC BABY CHANGER, GREY COLOUR

SLZN 54 95540

- max. load 113 kg
- safety belts, supply bin for hygienic pads and plastic bags for used diapers
- special ABS plastic, whose prevents smell and bacteria spread

POWER SUPPLY UNITS



EXTERNAL POWER SUPPLY 230V AC / 24V DC

SLZ 01Y 05012



EXTERNAL POWER SUPPLY 230V AC / 24V DC

SLZ 01Z 05011



EXTERNAL POWER SUPPLY 85-240V AC / 24V DC FOR MOUNTING ON DIN RAIL IN SWITCHBOARD

SLZ 04Y 05042
SLZ 04Z 05041
SLZ 04X 10049



POWER SUPPLY FOR BATTERY OPERATED PRODUCTS (ALTERNATIVE TO 9V / 6V BATTERY)

SLZ 05 05050



EXTERNAL POWER SUPPLY FOR 1 WASHBASIN TAP WITH ONE VALVE 230V AC / 24V DC

SLZ 06 05060



WALL SOCKET EXTERNAL POWER SUPPLY

SLZ 07 05070 230 V AC/24 V DC
SLZ 08 05080 230 V AC/12 V for battery operated products

SHOWER HEADS

**VANDAL-PROOF SHOWER HEAD****SLA 03 06030**

- water inlet 1/2"
- rate of flow 9 l/min (0,05 - 0,9 MPa)

**VANDAL-PROOF SHOWER HEAD, ADJUSTABLE ANGLE OF WATER FLOW****SLA 13 06130**

- water inlet 1/2"
- rate of flow 6 l or 12 l/min (0,1 MPa)
- "Anti-suicidal" system

**VANDAL-PROOF SHOWER HEAD****SLA 14 06140**

- water inlet 1/2"
- rate of flow 6 l or 12 l/min (0,1 MPa)
- "Anti-suicidal" system

**VANDAL-PROOF SHOWER HEAD****SLA 39 06390**

- water inlet 1/2"
- rate of flow 9 l/min. (0,05 - 0,9 MPa)

**VANDAL-PROOF SHOWER HEAD, ADJUSTABLE ANGLE OF WATER FLOW****SLA 40 06400**

- water inlet 1/2"
- rate of flow 9 l/min. (0,05 - 0,9 MPa)



TIME SET NON-CONCUSSIVE TAPS

**TIME SET NON-CONCUSSIVE BASIN TAP****SLT 100U 09000**



TIME SET NON-CONCUSSIVE BASIN TAP

SLT 101U 09001



TIME SET NON-CONCUSSIVE WALL MOUNTED BASIN TAP

SLT 113U 09014



TIME SET NON-CONCUSSIVE BUILT-IN SHOWER TAP

SLT 131S 09022



TIME SET NON-CONCUSSIVE SHOWER TAP WITH EXTENSION

SLT 138S 09128



TIME SET NON-CONCUSSIVE URINAL FLUSHER

SLT 150P 09029



TIME SEN NON-CONCUSSIVE BUILT-IN URINAL FLUSHER

SLT 153P 09140



TIME SET NON-CONCUSSIVE BUILT-IN WC FLUSHER

SLT 161W 09034



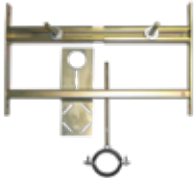
TIME SET NON-CONCUSSIVE WC FLUSHER WITH EXTENSION

SLT 164W 09136



MOUNTING FRAME TO THE PLASTERBOARD FOR A MONTAGE OF URINAL WITH MOUNTING BOX BEHIND THE URINAL

SLR 01 08010



MOUNTING FRAME TO THE PLASTERBOARD FOR A URINAL WITH A RADAR FLUSHING UNIT ON THE MOUNTING RAIL

SLR 01L 08015



MOUNTING FRAME TO THE PLASTERBOARD FOR URINALS WITH A INFRA-RED FLUSHING UNIT ABOVE THE URINAL

SLR 02 08020



MOUNTING FRAME TO THE PLASTERBOARD FOR A MONTAGE OF URINAL WITH INFRA-RED FLUSHING UNIT (SLP 17)

SLR 02D 08024



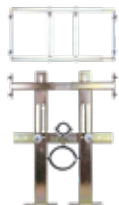
MOUNTING FRAME TO THE PLASTERBOARD FOR STAINLESS STEEL URINALS (SLPN 07, SLPN 09)

SLR 02N 08021



MOUNTING FRAME FOR HANGING TOILET AND INFRA-RED FLUSHING UNIT ABOVE THE URINAL (SLW 01NK, SLW 01P, SLW 01PA, SLW 03PA, SLP 05)

SLR 03 08030



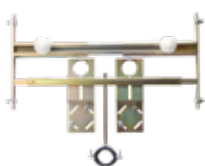
MOUNTING FRAME TO THE PLASTERBOARD FOR MOUNTING OF WALL HUNG TOILET AND INFRA-RED FLUSHING UNITS, WHICH IS PLACED ABOVE THE TOILET (SLW 01NK, SLW 01P, SLW 01PA, SLW 03PA)

SLR 03N 08031



MOUNTING FRAME TO THE WALL FOR A WALL HUNG TOILET

SLR 03Z 08033



MOUNTING FRAME TO THE PLASTERBOARD FOR A WALL HUNG WASHBASIN

SLR 04 08040



MOUNTING FRAME WITH CONCEALED TANK FOR WALL HUNG AND FLOOR STANDING TOILETS, AND FOR TOILET FLUSHING UNIT (MECHANICAL, INFRA-RED AND ELECTRONIC TOUCH)

SLR 21 08210



MOUNTING FRAME TO THE PLASTERBOARD FOR CERAMIC OR STAINLESS STEEL URINAL (SLPN 07, SLPN 09) AND FLUSHING UNIT INSTALLED ABOVE THE URINAL (SLP 02, SLP 06)

SLR 22 08220



MOUNTING FRAME TO THE PLASTERBOARD FOR WASHBASIN

SLR 23 08230



MOUNTING FRAME FOR AUTOMATIC WALL-MOUNTED WASHBASIN TAP (SLU 42KB, SLU 43B, SLU 43KB) AND AUTOMATIC SOAP DISPENSER SLZN 83E

SLR 24 08240



URINAL INLET FITTING

SLA 02 06020



LITHIUM BATTERY 9V/1200 MAH, TYPE U9VL

SLA 09 06090



STAINLESS STEEL SIEVE FOR URINAL NOVA PRO FELIX

SLA 10 06100



PLASTIC URINAL SCREEN

- SLA 11 06110 orange colour - mango scent
- SLA 11A 06111 red colour - kiwi and grapefruit scent
- SLA 11B 06112 transparent colour - honeysuckle scent
- SLA 11C 06113 blue colour - cotton bloom scent



STAINLESS STEEL SIEVE FOR URINAL LIVO

SLA 20 06200



STAINLESS STEEL SIEVE FOR URINAL GOLEM

SLA 26 06260



SET FOR SLWN 07 FOR CONNECTING TO AUTOMATIC FLUSHING UNIT SLW 01XX

SLA 27 06270



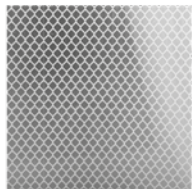


FRANCO



ALKALINE BATTERY, 9V / 550 MAH, TYP 6F22

SLA 29 06290



REFLEXIVE FOIL FOR SLP 05N/NZ

SLA 30 06300



UNIVERSAL STAINLESS STEEL TAP BODY ELONGATION FOR SLU 91X, SLU 92X, SLU 93X

SLA 32 06320 30 mm
 SLA 33 06330 150 mm

UNIVERSAL STAINLESS STEEL ELONGATION FOR SLZN 91E

SLA 92 06920 30 mm
 SLA 93 06930 150 mm



SET OF 4 PCS. OF ALKALINE BATTERIES AA, 1,5V, 2700 MAH

SLA 36 06360



CLEANER FOR STAINLESS STEEL PRODUCTS

SLA 37 06370



SET OF PARTS FOR MOUNTING THROUGH THE WALL

SLA 52A 06520 FOR SLU 39, SLU 39X
 SLA 52B 06521 FOR SLU 39PX

- necessary to have a service room on the other side of the wall



SUCTION CUP FOR DISASSEMBLY OF GLASS PANELS

SLA 54 06540



ECONOMICAL AERATORS

- SLA 55A 06550** 3,8 l/min., for SLU 01N/02N, SLU 04H/HT, SLU 25, SLU 56, SLU 57, SLU 56V, SLU 57V
- SLA 55B 06551** 1,9 l/min., for SLU 01N/02N, SLU 04H/HT, SLU 25, SLU 56, SLU 57, SLU 56V, SLU 57V
- SLA 56A 06560** 3,8 l/min., for SLU 09PTB, SLU 39, SLU 42K, SLU 43, SLU 43KB, SLU43V, SLU 44, SLU 45/46, SLU 91N-93N, SLUN 04, SLUN 07, SLUN 50-53, SLUN 71/72, SLUN 80-83, SLZN 84D, SLZN 84F
- SLA 56B 06561** 1,9 l/min., for SLU 09PTB, SLU 39, SLU 42, SLU 43, SLU 43KB, SLU43V, SLU 44, SLU 45/46, SLU 91N-93N, SLUN 04, SLUN 07, SLUN 50-53, SLUN 71/72, SLUN 80-83, SLZN 84D, SLZN 84F
- SLA 57A 06570** 3,8 l/min., for SLU 37, SLU 41N, SLU 60, SLU 60V, SLU 63, SLU 63V, SLU 76N
- SLA 57B 06571** 1,9 l/min., for SLU 37, SLU 41N, SLU 60, SLU 60V, SLU 63, SLU 63V, SLU 76N



UNIVERSAL REMOTE CONTROL FOR AN ADJUSTMENT OF PARAMETERS

SLD 03 SLD 04 SLD 05

- SLD 03 07030** of infra-red sensors
- SLD 04 07040** of radar flushing units and piezo controls
- SLD 05 07050** of coin and token machines
- SLD 07 07070** SLUN 70
- SLD 10 07012** the colour and intensity of the backlight



SLD 07 SLD 10



ANGLE VALVE, 1/2 X 3/8"

- SLR 54 08540**



THERMOSTATIC MIXING VALVE 3/4" (28L/MIN)

- SLT 04 09040**



THERMOSTATIC MIXING VALVE 1/2" (42L/MIN)

- SLT 05 09050**



THERMOSTATIC MIXING VALVE

- SLT 07 09070** 3/4" (43 l/ min.)
- SLT 08 09080** 1" (53 l/ min.)
- SLT 09 09090** 5/4" (82 l/ min.)
- SLT 10 09100** 6/4" (155 l/ min.)







RADAR FLUSHING UNIT





AUTOMATIC FLUSHING AFTER EACH USE OF THE URINAL

SYSTEM ANALYSES CHANGES, WHICH ARE PROCEEDED INSIDE OF THE URINAL



ECONOMY FLUSHING BY 1 LITER OF WATER



VANDAL-PROOF

PRODUCT MEETS THE REQUIREMENTS OF HIGH RESISTANCE TO MECHANICAL DAMAGES AND WEARS



CLEAN DESIGN

WHOLE SYSTEM IS PLACED BEHIND THE URINAL



5 YEARS GUARANTEE



ADJUSTMENT OF PARAMETERS BY REMOTE CONTROL

PARAMETERS ARE POSSIBLE TO ADJUST WITHOUT DISASSEMBLY OF THE URINAL



HYGIENIC FLUSH

AUTOMATIC FLUSHING AFTER EACH 6 HOURS NON-USE



PROTECTION AGAINST OVERFLOW



EASY INSTALLATION



LONG LIFE

UP TO THREE LIFE OF THE STANDARD PRODUCTS



MADE IN EUROPE

Power supplies:

- SLZ 01Z** - Supply No. 05011 external power supply 230 V AC/ 24 V DC
SLZ 01Y - Supply No. 05012 external power supply 230 V AC/ 24 V DC
SLZ 04Y - Supply No. 05042 external power supply 85-240V AC / 24V DC for mounting on DIN rail in switchboard
SLZ 04Z - Supply No. 05041 external power supply 85-240V AC / 24V DC for mounting on DIN rail in switchboard
SLZ 04X - Supply No. 10049 external power supply 85-240V AC / 24V DC for mounting on DIN rail in switchboard
SLZ 05 - Supply No. 05050 power supply for battery operated products (alternative to 9V / 6V battery)
SLZ 06 - Supply No. 05060 external power supply for 1 washbasin tap with one valve 230V AC / 24V DC
SLZ 07 - Supply No. 05070 external power supply 230V AC / 24V DC for wall socket
SLZ 08 - Supply No. 05080 wall socket external power supply 230V AC / 12V for battery operated products

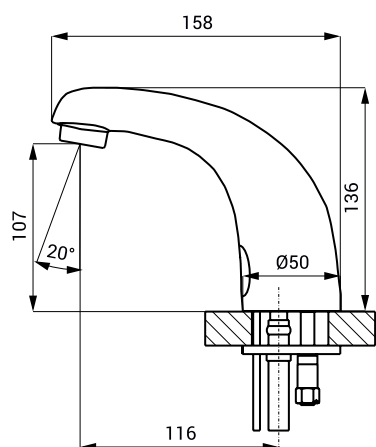
Installation recommendations:

- installation of the electrical set has to conform with the provided norms and it could be done only by the skilled person
- power supplies SLZ 01Y, SLZ 01Z, SLZ 06 is possible to mount on the surface, eventually it could be embedded to the wall outside of users reach (e. g. ceiling, vestibule)
- for the operating voltage supply is recommended to use line wire CYKY 2C x 1,5, for the 24 V DC output voltage distribution wire line CYKY 2A x 1,5 (max. 40 m)
- the output from the built-in power supply is made up of a twin-lead connection that connects to the electricity terminals, 230 V/50 Hz, supply cable is fed into the mounting box via a grommet
- after the control of right function of the product with integrated power supply (with index Z) it is necessary the cover with electronics tightly seal around the perimeter by a sanitary sealant that the water cannot penetrate into space where is placed the network transformer

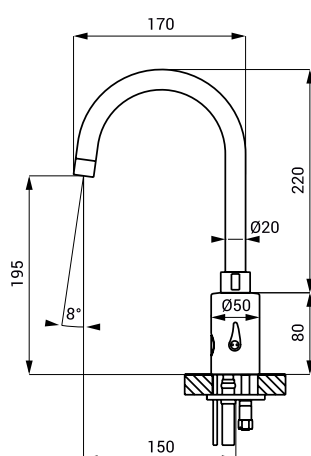
Article No.	Automatic washbasin taps and shower controls	Automatic urinal flushing unit	Automatic pressure toilet flushing units SLW 01xx	Automatic cistern toilet flushing unit SLW 02xx	Dimensions (mm)
SLZ 01Y	max. 5 (10*) valves	max. 5 valves	max. 5 valves	2 x servo-motor	140 x 100 x 60
SLZ 01Z	max. 9 (20*) valves	max. 9 valves	max. 9 valves	4 x servo-motor	170 x 130 x 80
SLZ 04Y	max. 5 (10*) valves	max. 5 valves	max. 5 valves	2 x servo-motor	90 x 58,4 x 35
SLZ 04Z	max. 9 (20*) valves	max. 9 valves	max. 9 valves	4 x servo-motor	90 x 58,4 x 52,5
SLZ 04X	max. 15 (30*) valves	max. 15 valves	max. 15 valves	7 x servo-motor	90 x 58,4 x 70
SLZ 06	max. 1 valve	max. 1 valve	max. 1 valve	—	90 x 65 x 45
SLZ 07	max. 2 valves	max. 2 valves	max. 2 valves	1 x servo-motor	75 x 34 x 43
SLZ 08	max. 1 valve	max. 1 valve	max. 1 valve	—	69 x 27 x 38

AUTOMATIC INFRA-RED AND PIEZO WASHBASIN TAPS

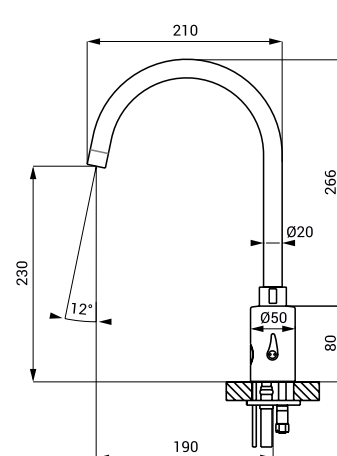
SLU 01N, 01NH, 02N, 02NH



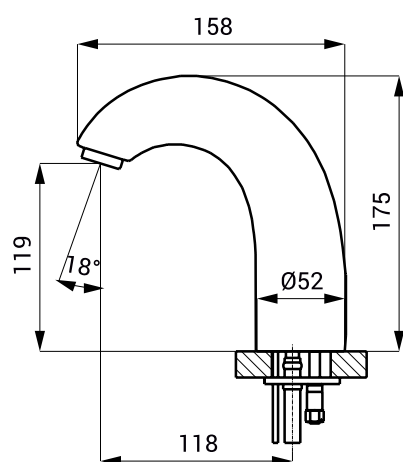
SLU 08L, 08LN



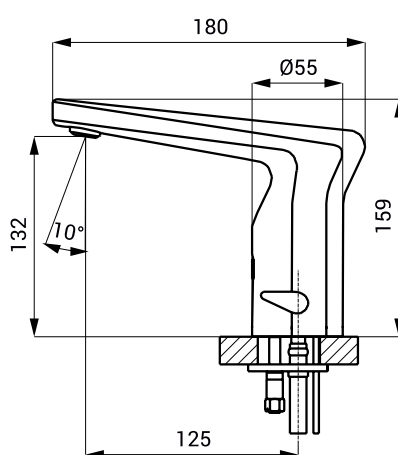
SLU 08LD, 08LND



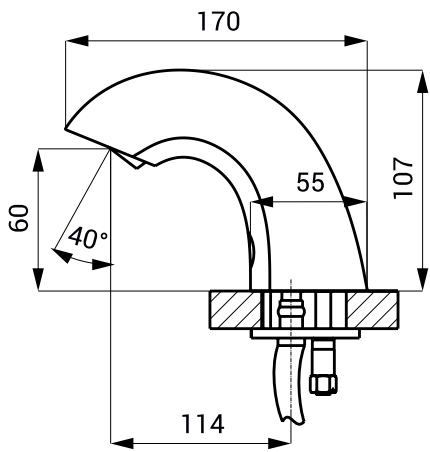
SLU 34, 35



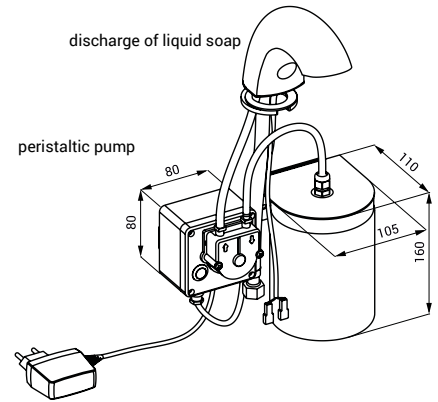
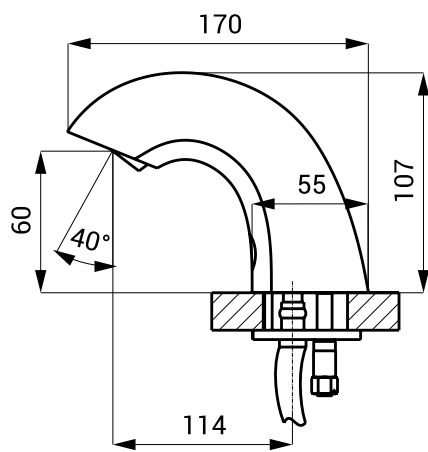
SLU 37



SLU 45, 46

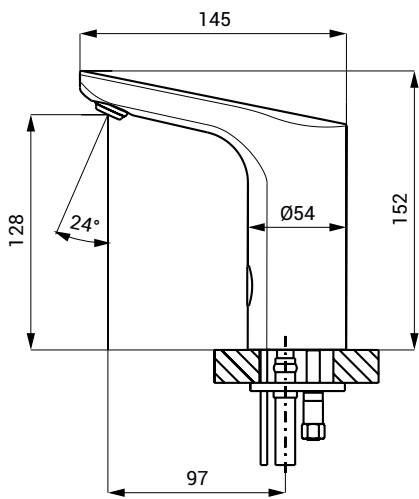


SLU 45MD, 46MD

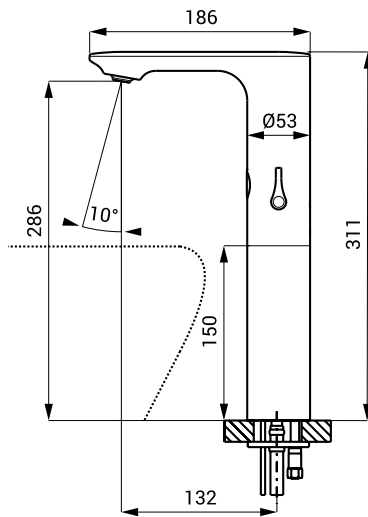


canister 1 l

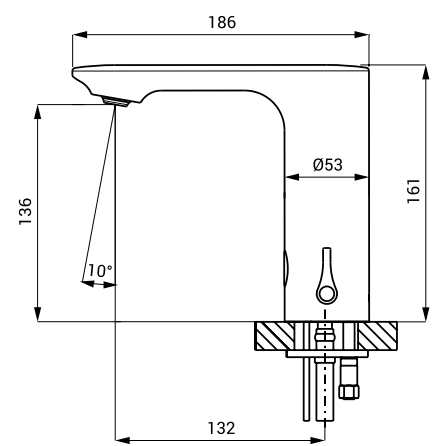
SLU 56, 57



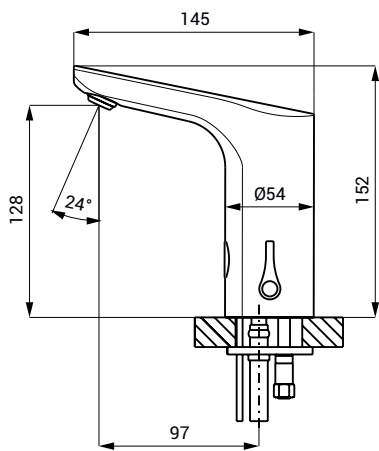
SLU 60, 60V



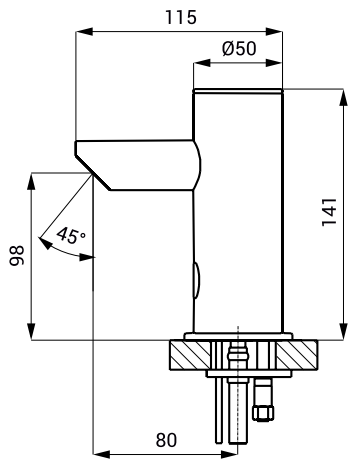
SLU 63, 63V



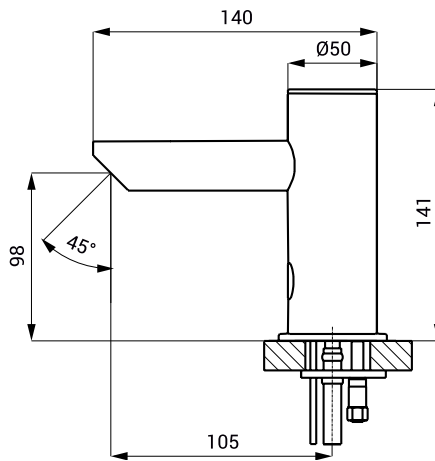
SLU 76N



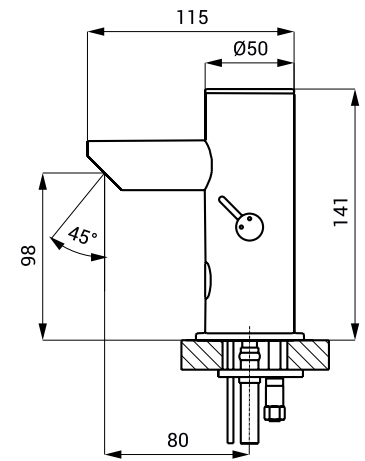
SLU 91N, 93N



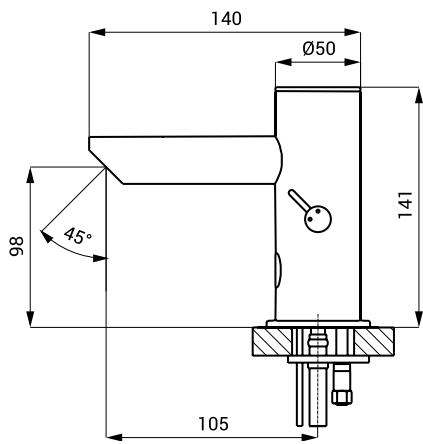
SLU 91ND, 93ND



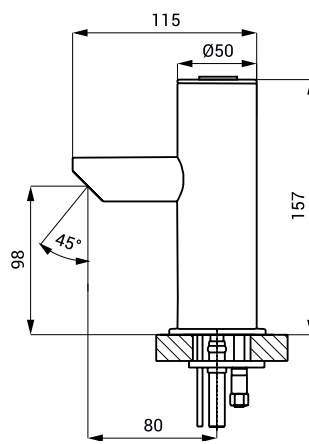
SLU 92N



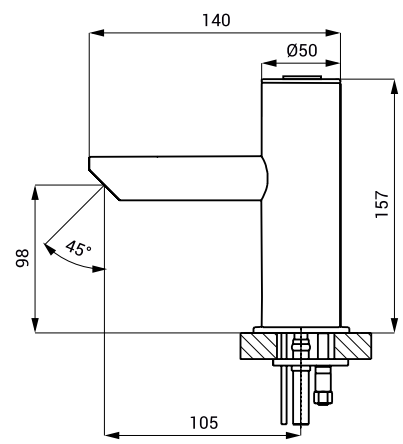
SLU 92ND



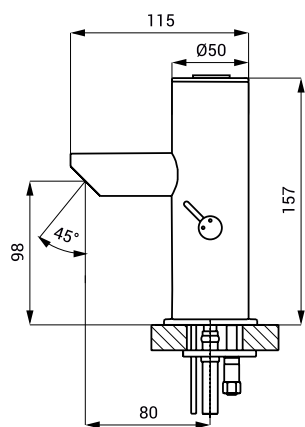
SLU 91NP, 93NP



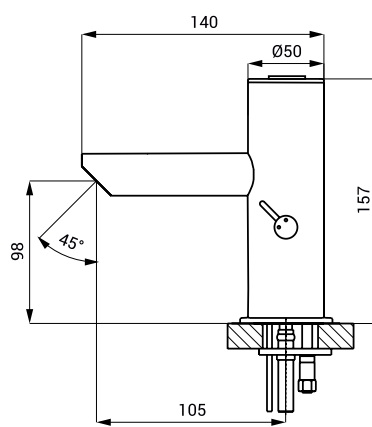
SLU 91NPD, 93NPD



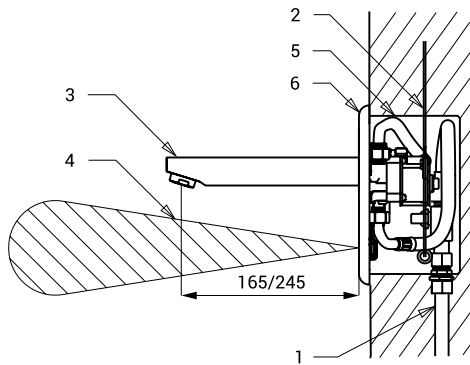
SLU 92NP



SLU 92NPD

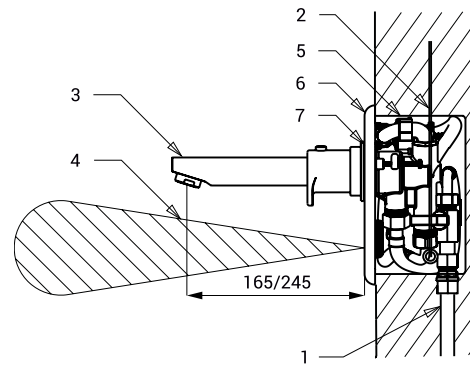


SLU 04H



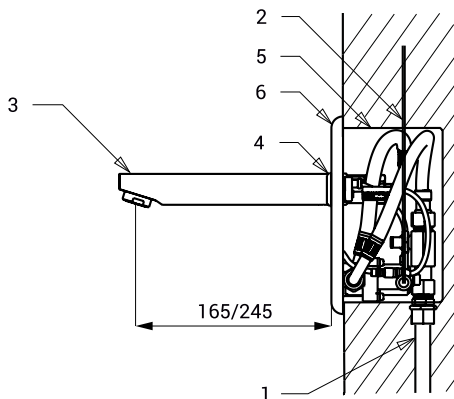
- 1 - water supply
- 2 - feed cable from power supply
- 3 - spout
- 4 - active range
- 5 - mounting box
- 6 - stainless steel cover with electronics

SLU 04HT



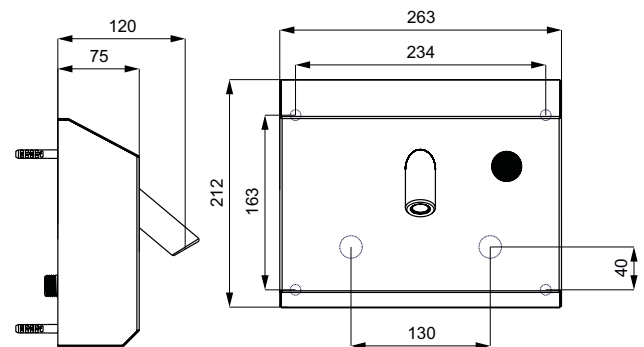
- 1 - water supply
- 2 - feed cable from power supply
- 3 - spout
- 4 - active range
- 5 - mounting box
- 6 - stainless steel cover with electronics
- 7 - thermostatic mixer

SLU 04P

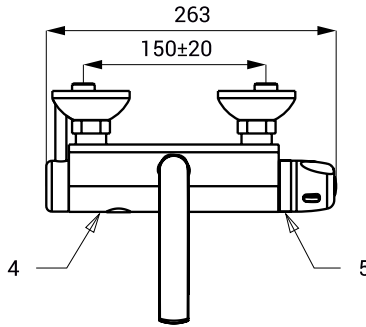
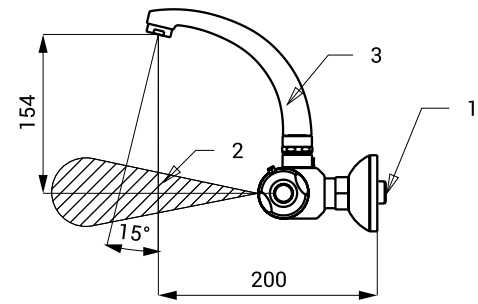


- 1 - water supply
- 2 - feed cable from power supply
- 3 - spout
- 4 - piezo button
- 5 - mounting box
- 6 - stainless steel cover with electronics

SLU 09PTB

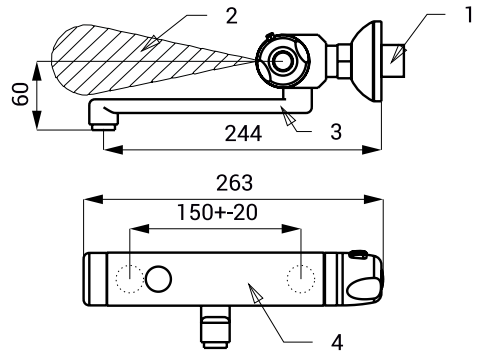


SLU 25



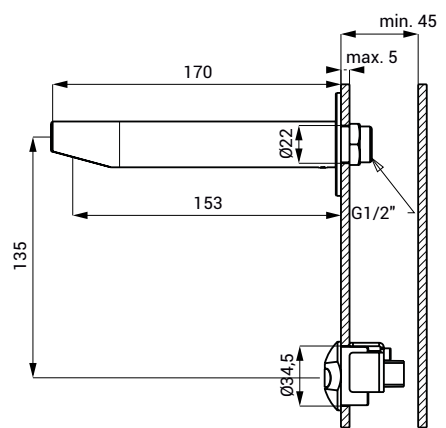
- 1 - water supply
- 2 - active range
- 3 - swivel spout
- 4 - chrome plated body

SLU 25S

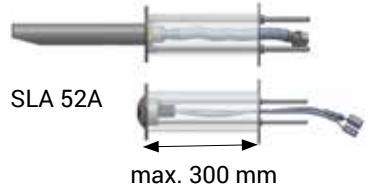


- 1 - water supply
- 2 - active range
- 3 - swivel spout
- 4 - chrome plated body

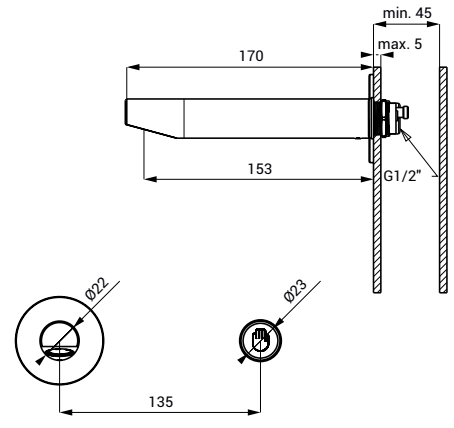
SLU 39, 39X



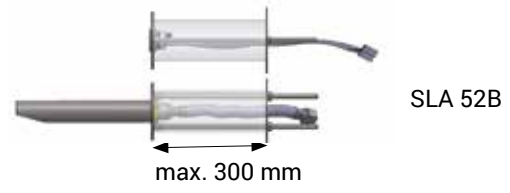
Set for the mounting into the wall



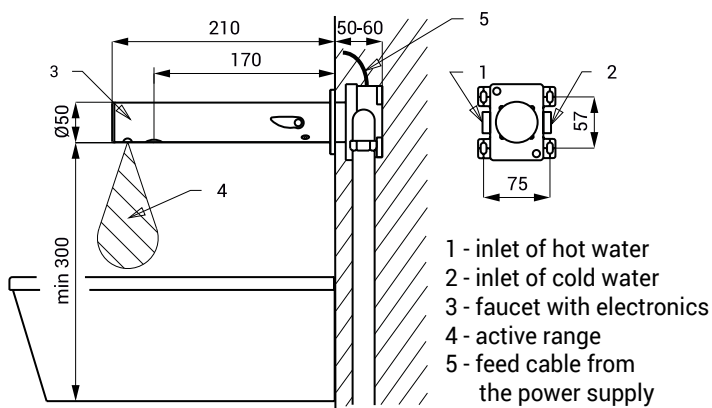
SLU 39PX



Set for the mounting into the wall

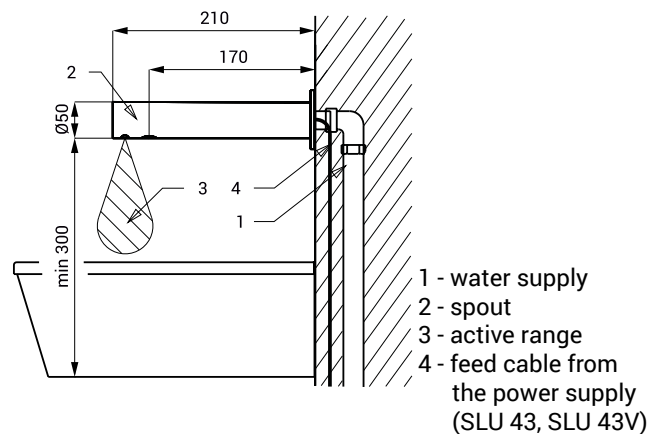


SLU 42K, 42KB



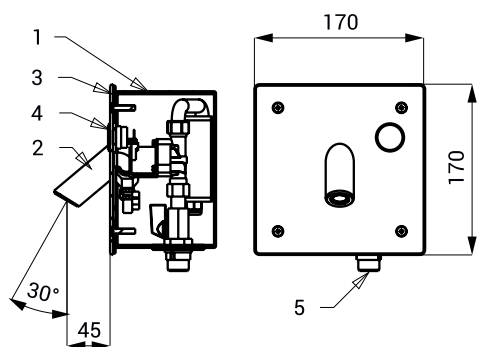
- 1 - inlet of hot water
- 2 - inlet of cold water
- 3 - faucet with electronics
- 4 - active range
- 5 - feed cable from the power supply

SLU 43, 43B, 43V, 43VB, 43KB



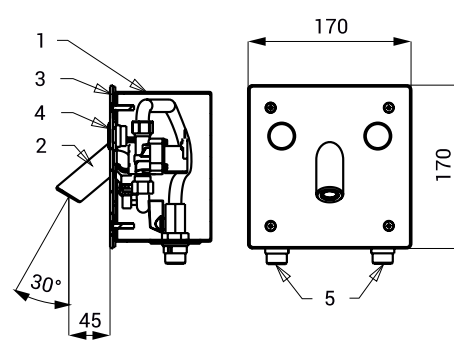
- 1 - water supply
- 2 - spout
- 3 - active range
- 4 - feed cable from the power supply (SLU 43, SLU 43V)

SLU 44P



- 1 - stainless steel mounting box with electromagnetic valve and ball valve
- 2 - spout
- 3 - vandal-proof stainless steel cover
- 4 - piezo button
- 5 - water inlet

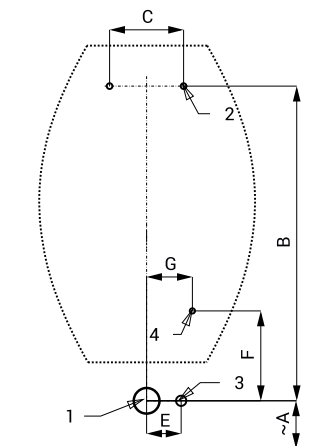
SLU 44PP



- 1 - stainless steel mounting box with electromagnetic valve and ball valves
- 2 - spout
- 3 - vandal-proof stainless steel cover
- 4 - piezo button
- 5 - water inlets

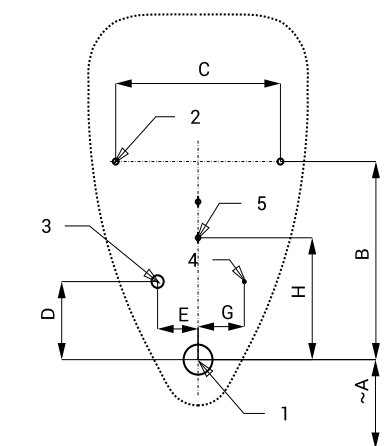
AUTOMATIC INFRA-RED, PIEZO AND RADAR URINAL FLUSHING UNITS

SLP 17 DOMINO



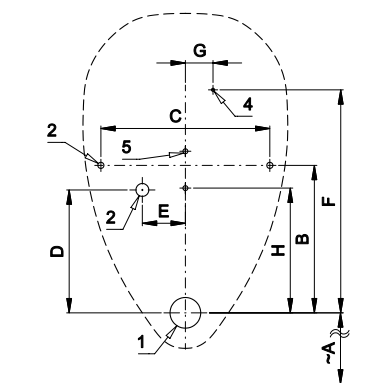
- 1 - waste pipeline Ø 40 mm
- 2 - holes for fitting
- 3 - water supply
- 4 - power supply 24 V DC

SLP 07 ALEX



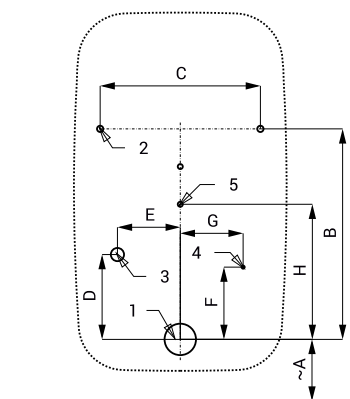
- 1 - waste pipeline Ø 50 mm
- 2 - holes for fitting
- 3 - water supply
- 4 - power supply
- 5 - holes for wall plugs

SLP 07 FELIX



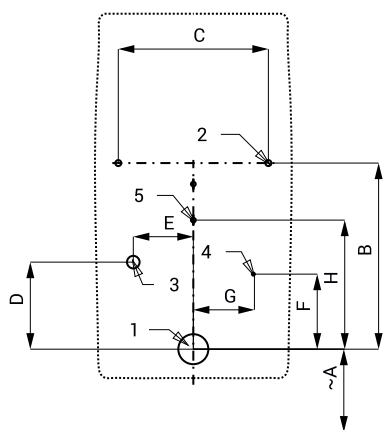
- 1 - waste pipeline Ø 50 mm
- 2 - holes for fitting
- 3 - water supply
- 4 - power supply
- 5 - holes for wall plugs

SLP 07 NOVA PRO



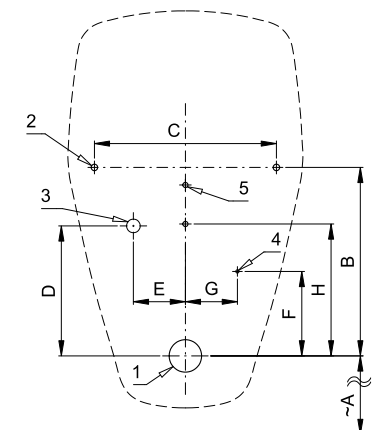
- 1 - waste pipeline Ø 50 mm
- 2 - holes for fitting
- 3 - water supply
- 4 - power supply
- 5 - holes for wall plugs

SLP 07 RENOVA NR. PLAN 1



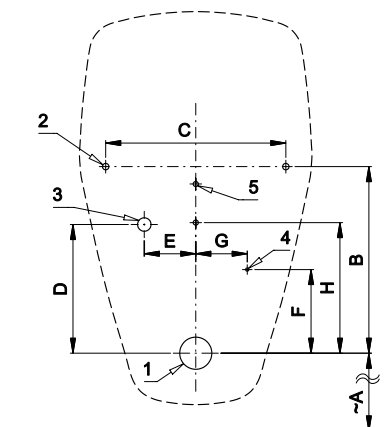
- 1 - waste pipeline Ø 50 mm
- 2 - holes for fitting
- 3 - water supply
- 4 - power supply
- 5 - holes for wall plugs

SLP 07 RENOVA NR. 1



- 1 - waste pipeline Ø 50 mm
- 2 - holes for fitting
- 3 - water supply
- 4 - power supply
- 5 - holes for wall plugs

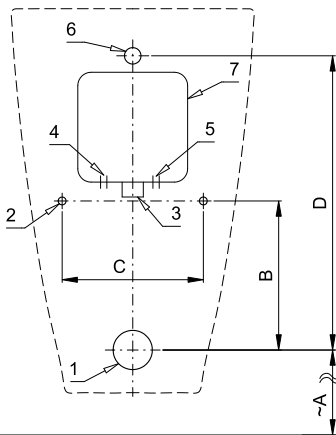
SLP 07 SELNOVA



- 1 - waste pipeline Ø 50 mm
- 2 - holes for fitting
- 3 - water supply
- 4 - power supply
- 5 - holes for wall plugs

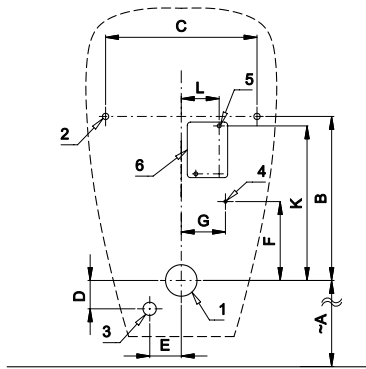
Dimensions (mm)	A	B	C	D	E	F	G	H
SLP 17	420	638	150		70	180	90	
SLP 07 - ALEX	320	330	285	130	70		80	203
SLP 07 - FELIX	390	240	275	200	70	360	45	205
SLP 07 - NOVA PRO	380	335	255	135	100	115	100	215
SLP 07 - RENOVA Nr. 1	390	290	280	200	80	130	80	203
SLP 07 - RENOVA Nr. 1 PLAN	390	310	250	145	100	125	100	215
SLP 07 - SELNOVA	390	290	280	200	80	130	80	203

SLP 12 VILA



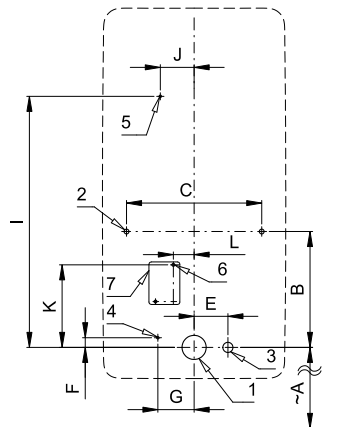
- 1 - waste pipeline Ø 50 mm
- 2 - holes for fitting
- 3 - water supply
- 4 - power supply 230 V AC (variant SLP 12/37RZ)
- 5 - power supply 24 V DC (variant SLP 12/37R)
- 6 - inlet fitting
- 7 - mounting box

SLP 19 GOLEM



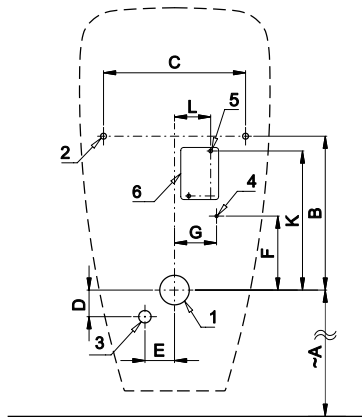
- 1 - waste pipeline Ø 50 mm
- 2 - holes for fitting
- 3 - water supply
- 4 - power supply 24 V DC or 230 V AC
- 5 - holes for wall plugs
- 6 - power supply

SLP 20 ANTERO



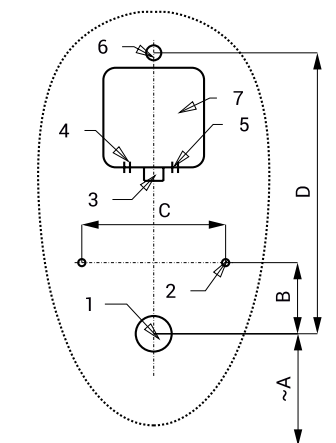
- 1 - waste pipeline Ø 50 mm
- 2 - holes for fitting
- 3 - water supply
- 4 - power supply 230 V AC (variant SLP 20RZ)
- 5 - power supply 24 V DC (variant SLP 20R)
- 6 - holes for wall plugs
- 7 - power supply variant SLP 20RZ)

SLP 23 CAPRINO



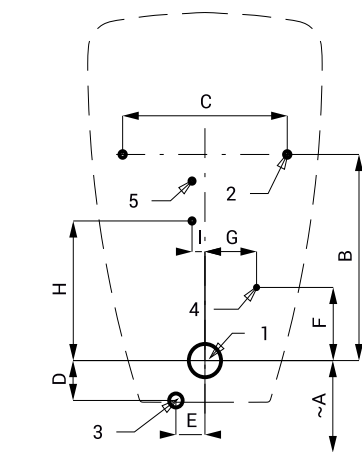
- 1 - waste pipeline Ø 50 mm
- 2 - holes for fitting
- 3 - water supply
- 4 - power supply 24 V DC or 230 V AC
- 5 - holes for wall plugs
- 6 - power supply

SLP 24, 25 ALESSI



- 1 - waste pipeline Ø 50 mm
- 2 - holes for fitting
- 3 - water supply
- 4 - power supply 230 V AC (variant SLP 24/25RZ)
- 5 - power supply 24 V DC (variants SLP 24/25R)
- 6 - inlet fitting
- 7 - mounting box

SLP 31 LIVO

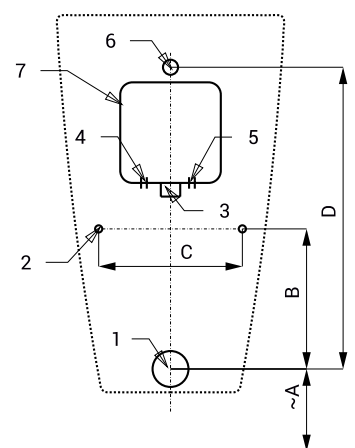


- 1 - waste pipeline Ø 50 mm
- 2 - holes for fitting
- 3 - water supply
- 4 - power supply 24 V DC or 230 V AC
- 5 - holes for wall plugs

Dimensions (mm)	A	B	C	D	E	F	G	H	I	J	K	L
SLP 12	415	190	180	375								
SLP 19	400	260	240	45	50	125	70				245	60
SLP 20	350	240	280		70	20	75		520	70	171	43
SLP 23	400	260	240	45	50	125	70				235	60
SLP 24	420	100	200	395								
SLP 25	420	100	200	395								
SLP 31	390	310	255	60	45	110	80	210	20			

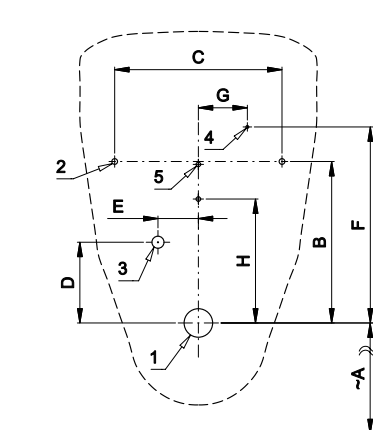
AUTOMATIC INFRA-RED, PIEZO AND RADAR URINAL FLUSHING UNITS

SLP 32 ARQ



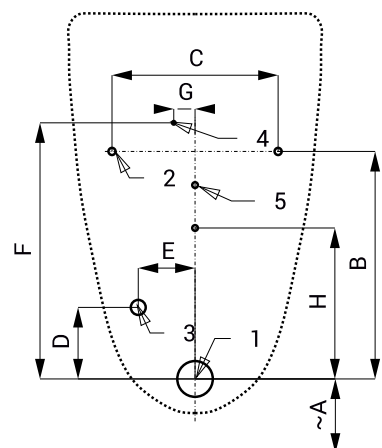
- 1 - waste pipeline Ø 50 mm
- 2 - holes for fitting
- 3 - water supply
- 4 - power supply 230 V AC (variant SLP 32RZ)
- 5 - power supply 24 V DC (variant SLP 32R)
- 6 - inlet fitting
- 7 - mounting box

SLP 35 ROCA MERINO



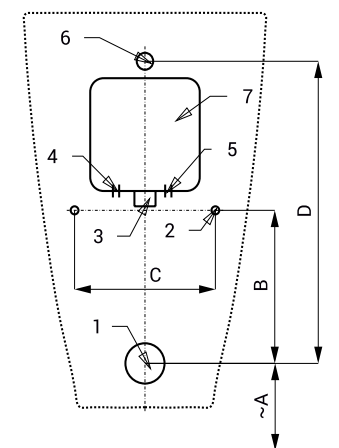
- 1 - waste pipeline Ø 50 mm
- 2 - holes for fitting
- 3 - water supply
- 4 - power supply 24 V DC or 230 V AC
- 5 - holes for wall plugs

SLP 36 ECCO (Golf)



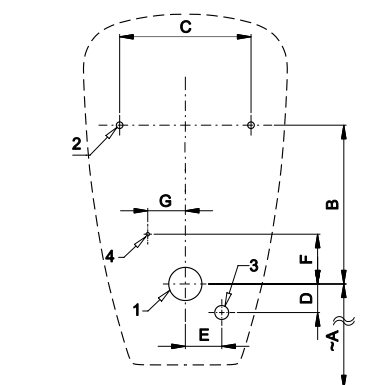
- 1 - waste pipeline Ø 50 mm
- 2 - holes for fitting
- 3 - water supply
- 4 - power supply 24 V DC or 230 V AC
- 5 - holes for wall plugs

SLP 37 VILA



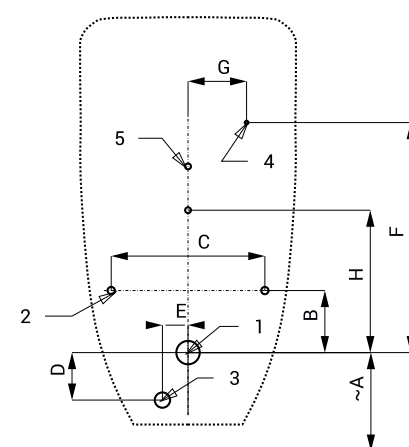
- 1 - waste pipeline Ø 50 mm
- 2 - holes for fitting
- 3 - water supply
- 4 - power supply 230 V AC (variant SLP 12/37RZ)
- 5 - power supply 24 V DC (variant SLP 12/37R)
- 6 - inlet fitting
- 7 - mounting box

SLP 49 CAPRINO PLUS RIMLESS



- 1 - waste pipeline Ø 50 mm
- 2 - holes for fitting
- 3 - water supply
- 4 - power supply 24 V DC or 230 V AC

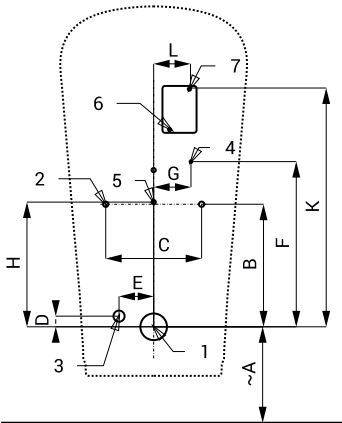
SLP 54 D-CODE



- 1 - waste pipeline Ø 32 mm
- 2 - holes for fitting
- 3 - water supply
- 4 - power supply 24 V DC or 230 V AC
- 5 - holes for wall plugs

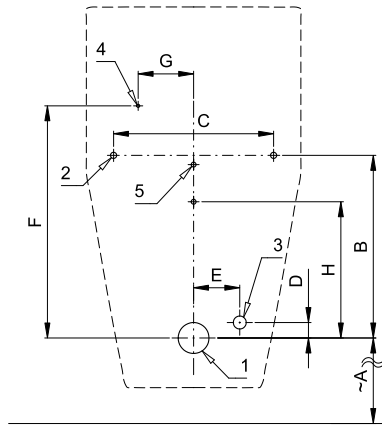
Dimensions (mm)	A	B	C	D	E	F	G	H	I
SLP 32	390	195	200	420					
SLP 35								211	
SLP 36	365	318	234	100	80	358	30	211	
SLP 37	415	190	180	375					
SLP 49	400	260	240	115	40	160	40	205	70
SLP 54	480	85	210	65	35	315	80	195	

SLP 59 LEMA



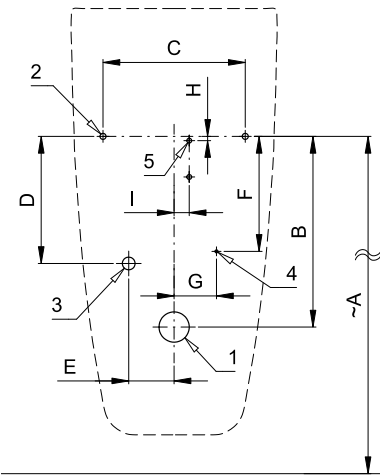
- 1 - waste pipeline Ø 50 mm
- 2 - holes for fitting
- 3 - water supply
- 4 - power supply 24 V DC or 230 V AC
- 5 - holes for wall plugs
- 6 - holes for wall plugs
- 7 - power supply

SLP 68 ARCHITECTURA



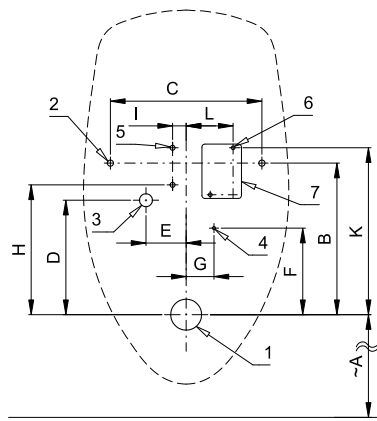
- 1 - waste pipeline Ø 50 mm
- 2 - holes for fitting
- 3 - water supply
- 4 - power supply
- 5 - holes for wall plugs

SLP 69 ARCHITECTURA



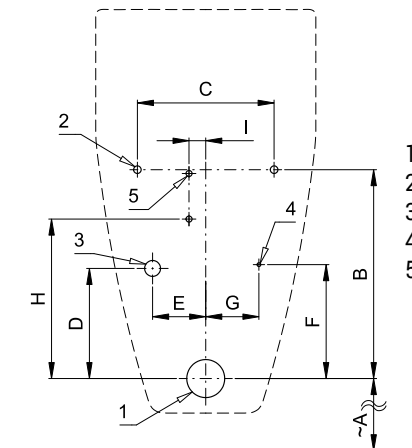
- 1 - waste pipeline Ø 50 mm
- 2 - holes for fitting
- 3 - water supply
- 4 - power supply
- 5 - holes for wall plugs

SLP 70 O.NOVO



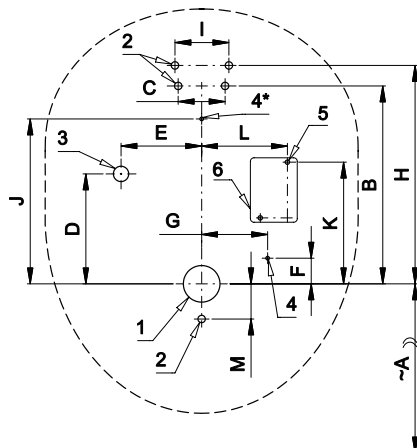
- 1 - waste pipeline Ø 50 mm
- 2 - holes for fitting
- 3 - water supply
- 4 - power supply
- 5 - holes for wall plugs
- 6 - holes for wall plugs
- 7 - power supply

SLP 71 SUBWAY



- 1 - waste pipeline Ø 50 mm
- 2 - holes for fitting
- 3 - water supply
- 4 - power supply
- 5 - holes for wall plugs

SLP 82

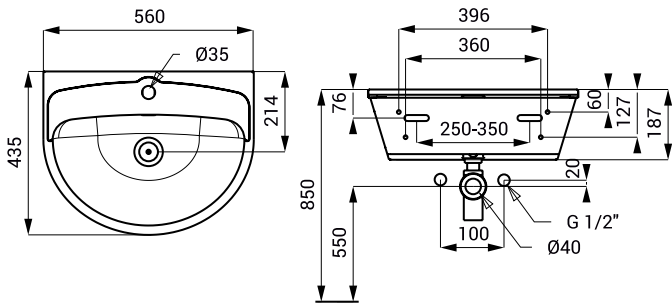


- 1 - waste pipeline Ø 50 mm
- 2 - holes for fitting
- 3 - water inlet
- 4 - power supply 24 V DC or 230 V AC
- 5 - holes for wall plugs
- 6 - power supply

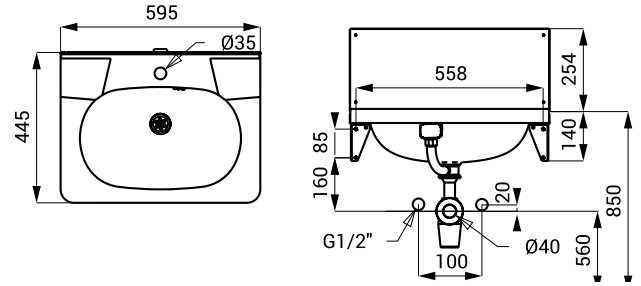
Dimensions (mm)	A	B	C	D	E	F	G	H	I	J	K	L	M
SLP 59	350	230	180	20	65	310	70	234			446	67	
SLP 68	390	295	260	25	75	375	90	220					
SLP 69	675	315 - 375	235	210	75	190	70	7	25				
SLP 70	390	245	245	185	65	140	45	210	22	270	76		
SLP 71	405	275	180	145	70	150	70	210	22				
SLP 82	500	270	74	150	110	35	90	298	130	225	166	117	48

STAINLESS STEEL WASHBASINS

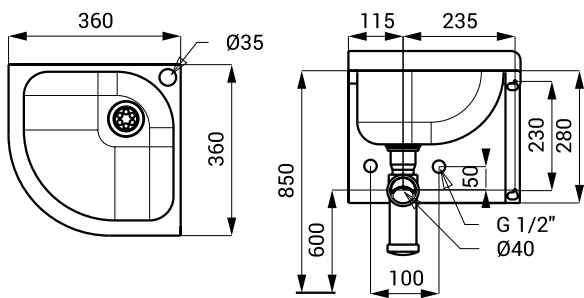
SLUN 01



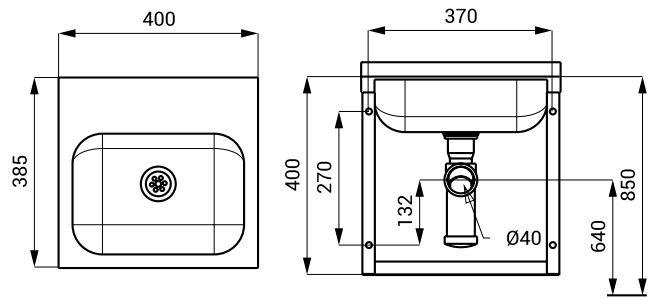
SLUN 02



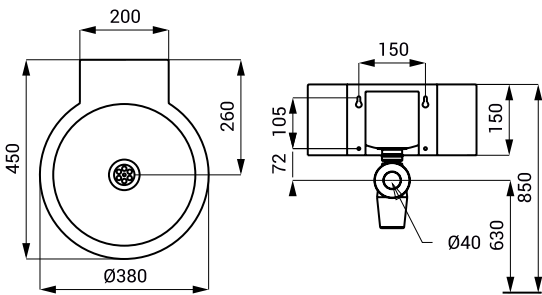
SLUN 11



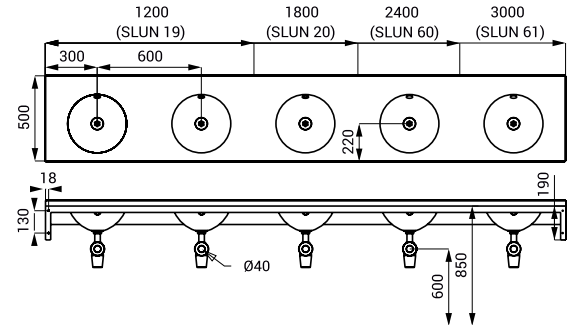
SLUN 13



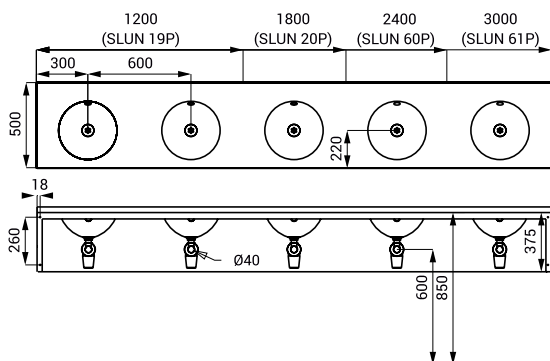
SLUN 17



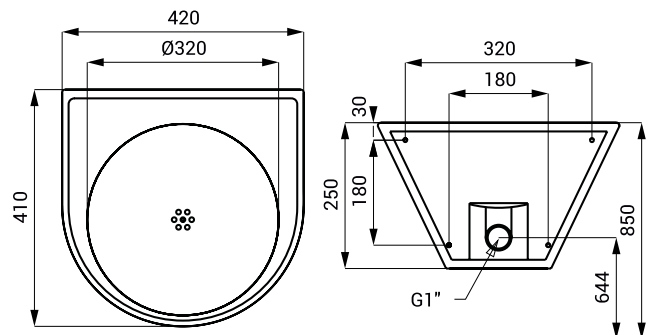
SLUN 19, 20, 60, 61



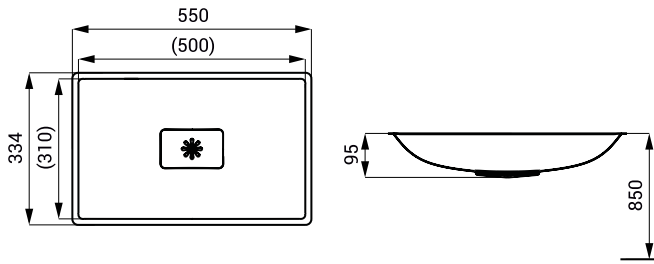
SLUN 19P, 20P, 60P, 61P



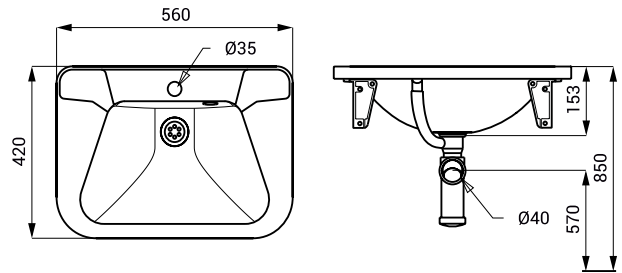
SLUN 22M



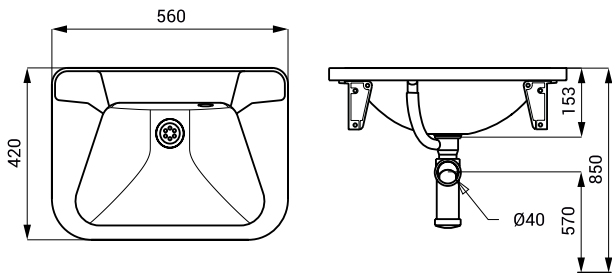
SLUN 24X



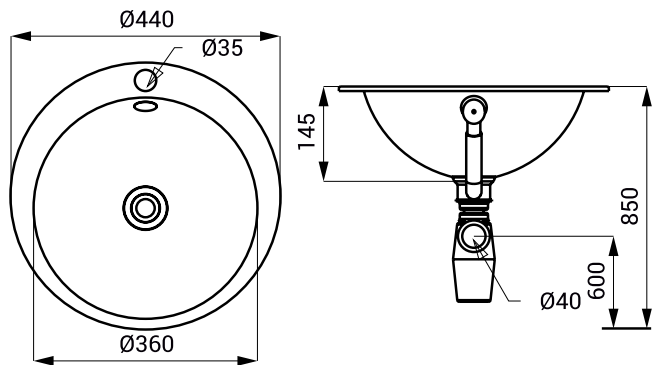
SLUN 26



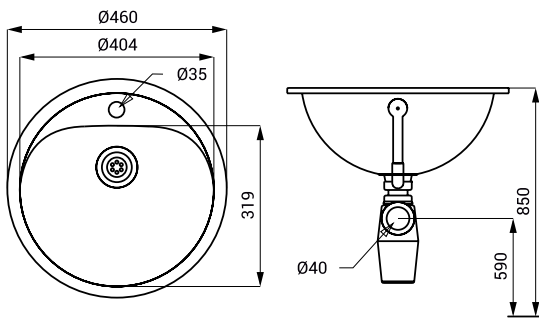
SLUN 26A



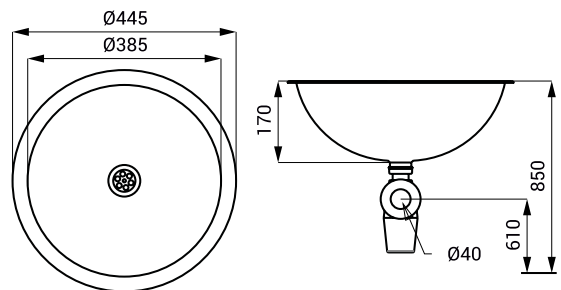
SLUN 28A



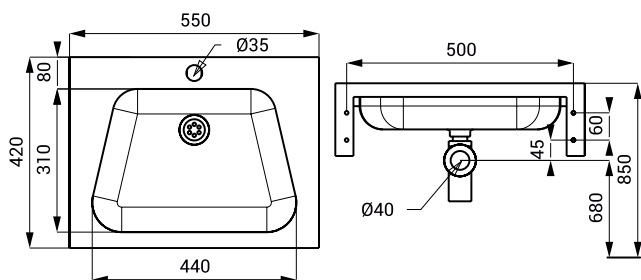
SLUN 32, 32X



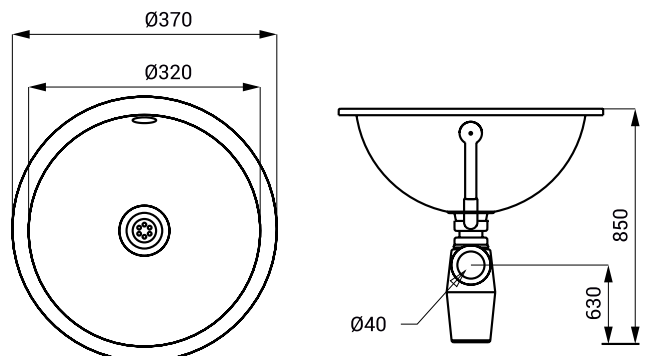
SLUN 34



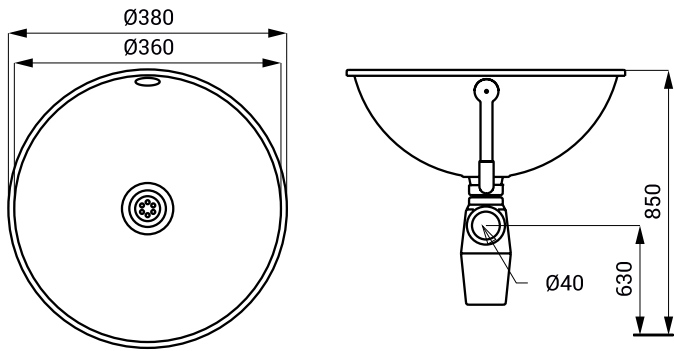
SLUN 36A



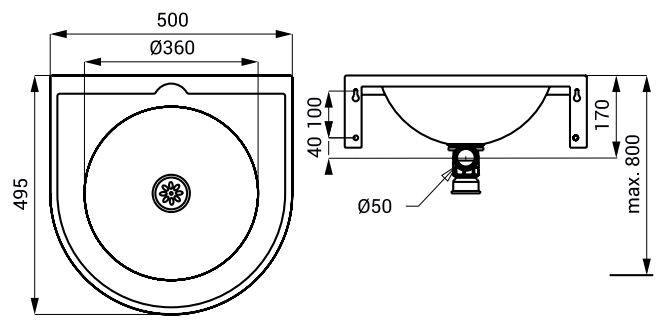
SLUN 44, 44X



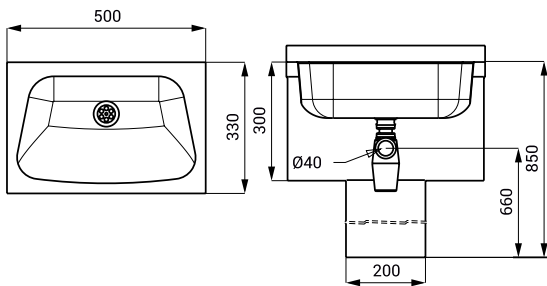
SLUN 45, 45X



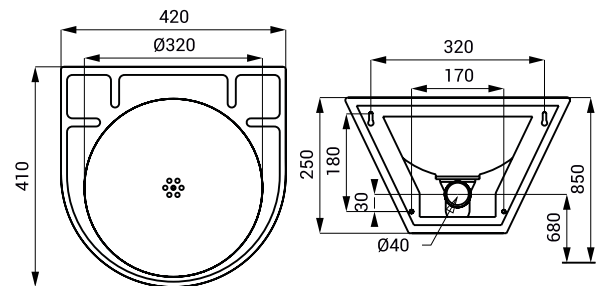
SLUN 47, 47X



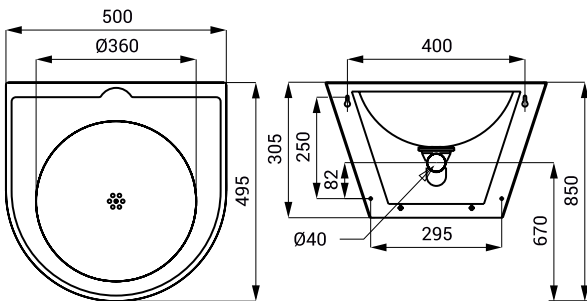
SLUN 57



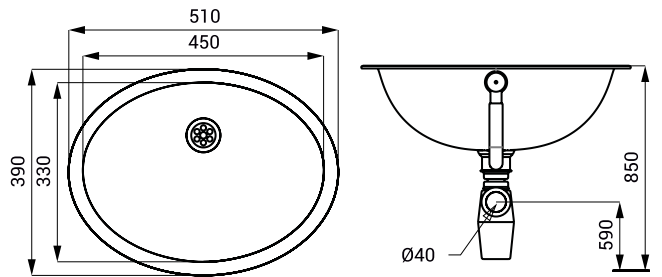
SLUN 58



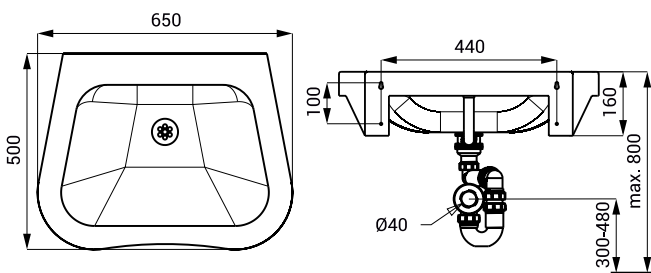
SLUN 59



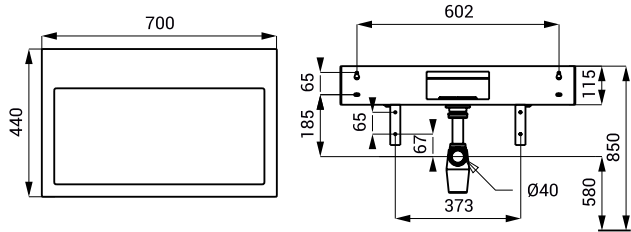
SLUN 63



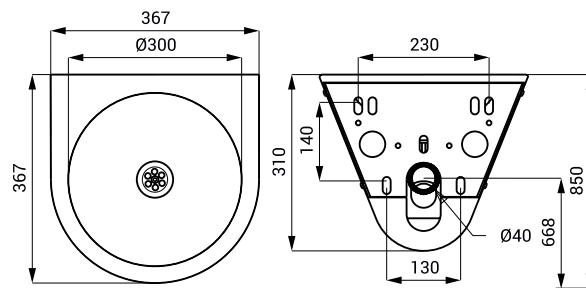
SLUN 66



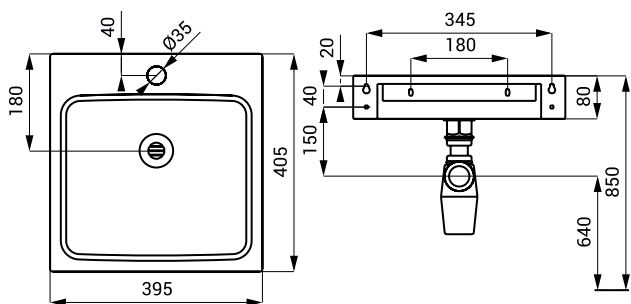
SLUN 68



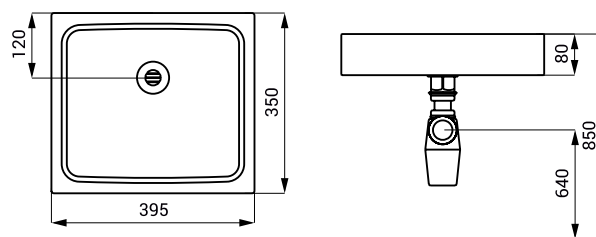
SLUN 69



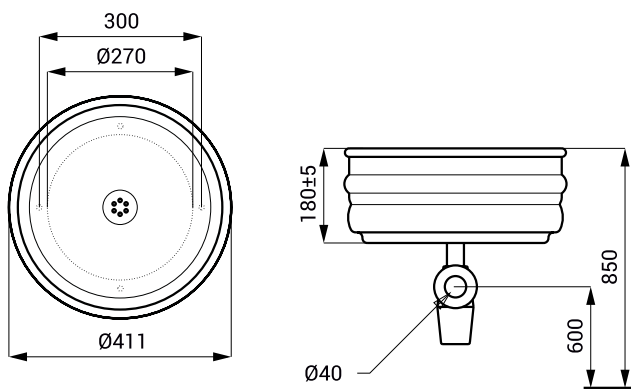
SLUN 73, SLUN 73V



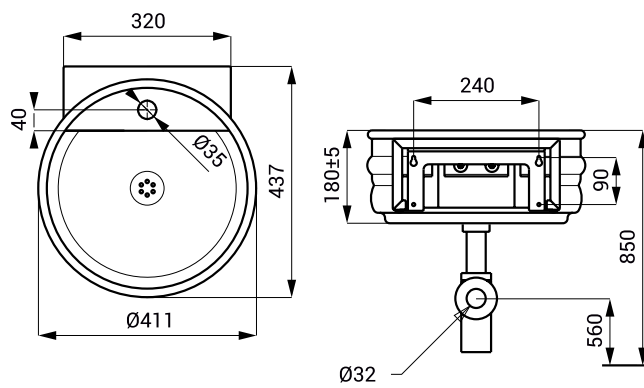
SLUN 73A, SLUN 73AV



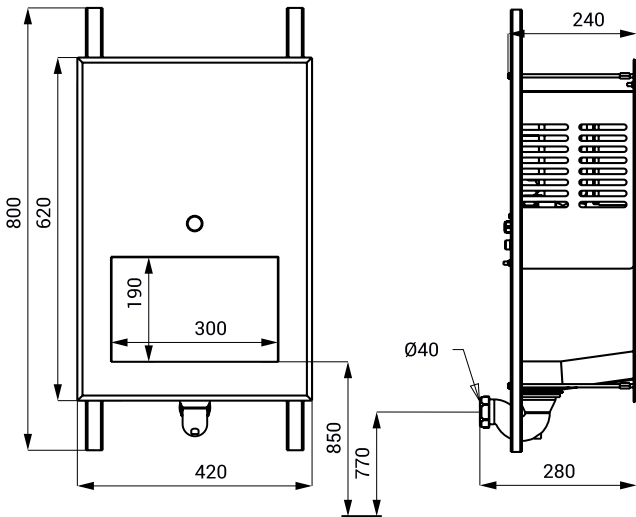
SLUN 77



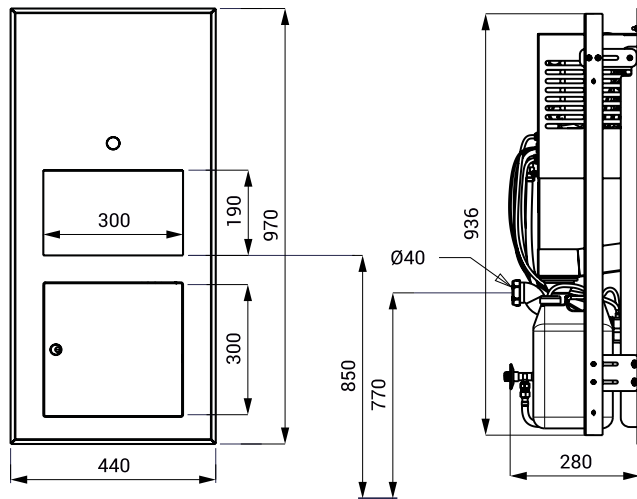
SLUN 77A



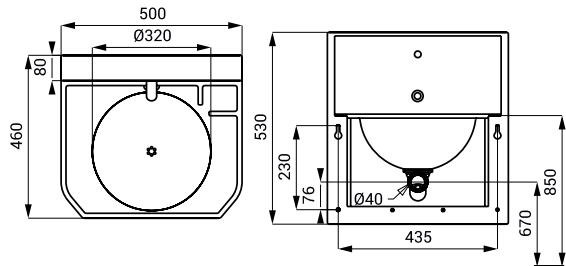
SLUN 70H



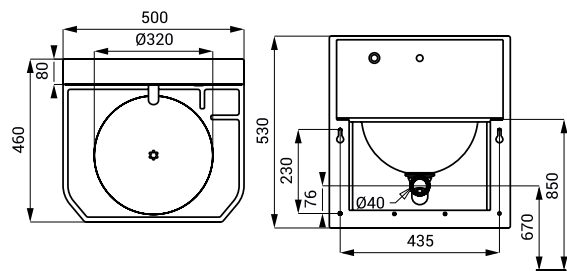
SLUN 70P



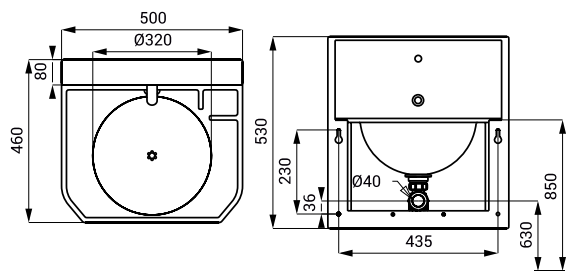
SLUN 71E



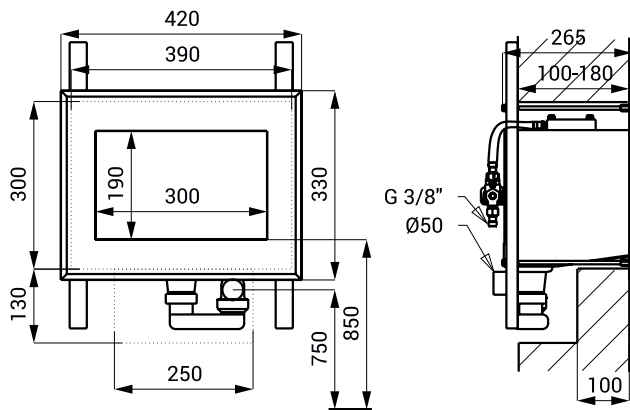
SLUN 71P



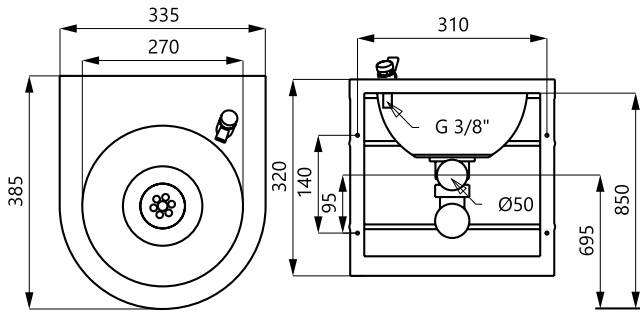
SLUN 72ET, 72PT



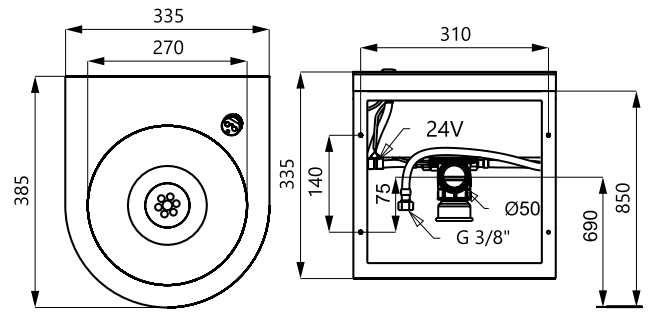
SLUN 75E, 76E, 76ET



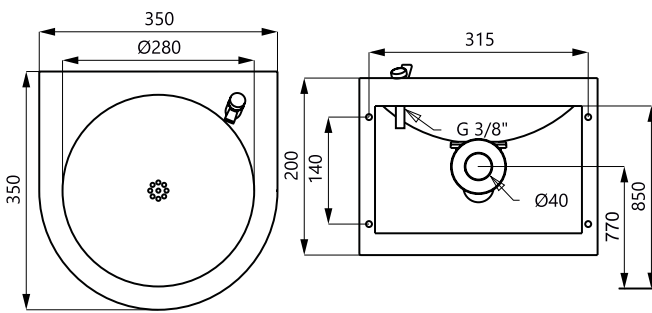
SLUN 14



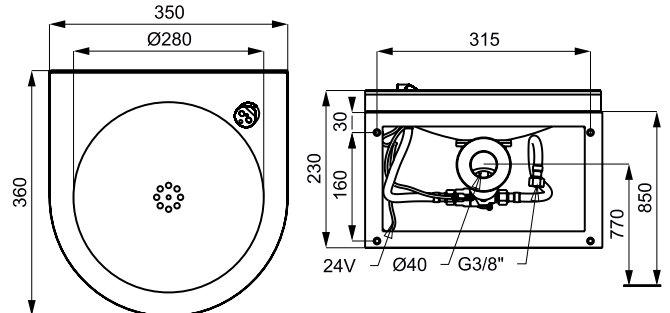
SLUN 14E



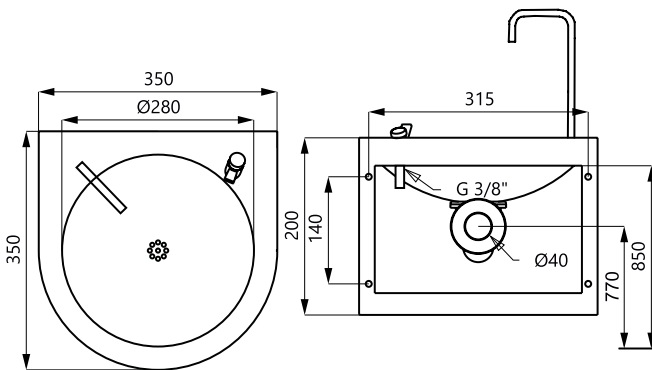
SLUN 62



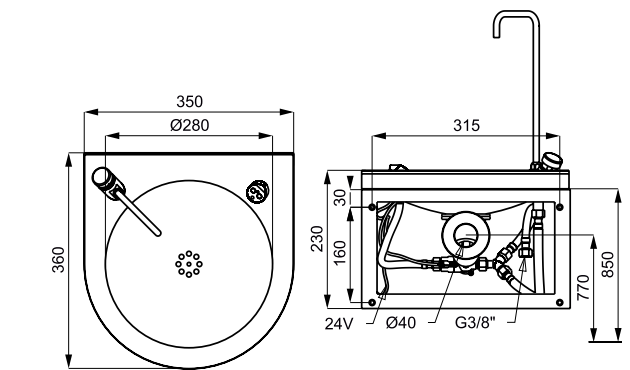
SLUN 62E



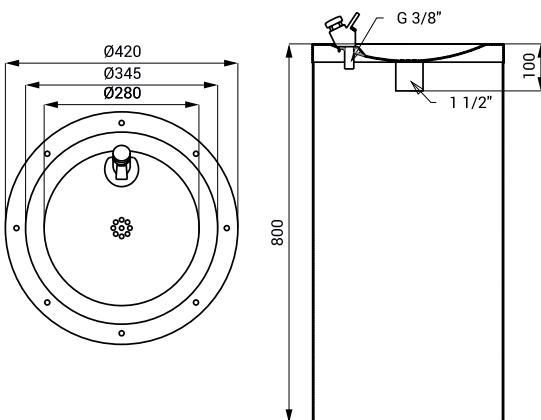
SLUN 62S



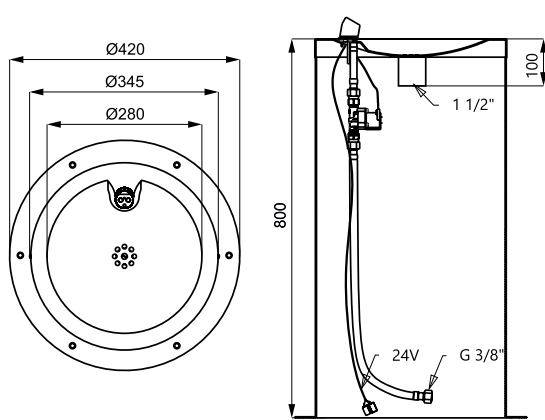
SLUN 62ES



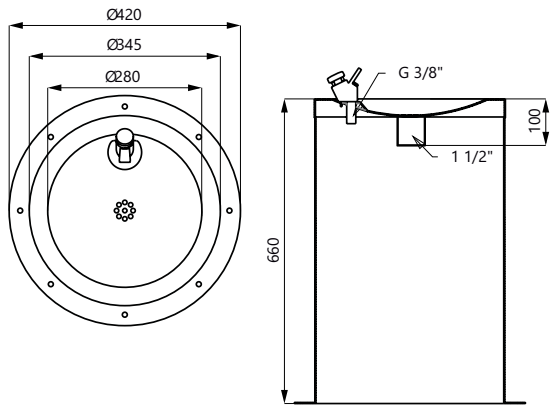
SLUN 23



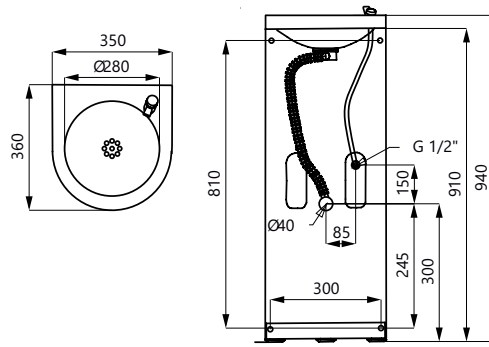
SLUN 23E



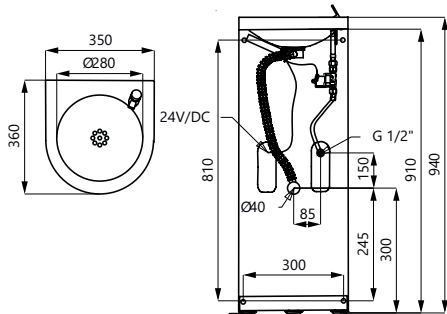
SLUN 23M



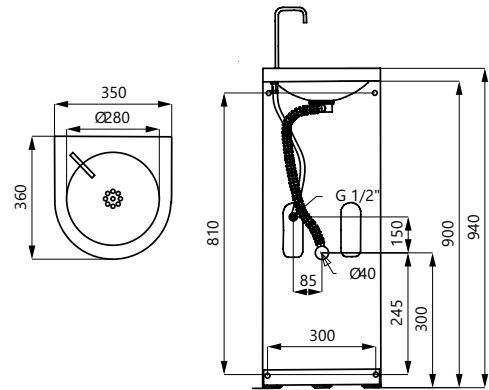
SLUN 43



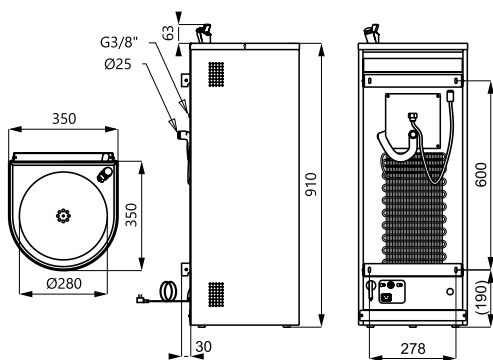
SLUN 43E



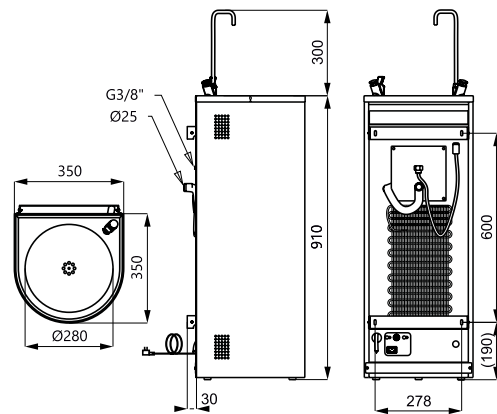
SLUN 43S



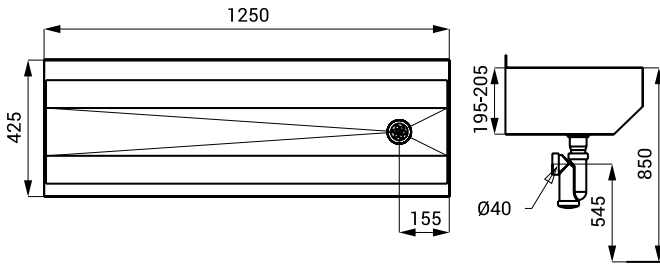
SLUN 43C



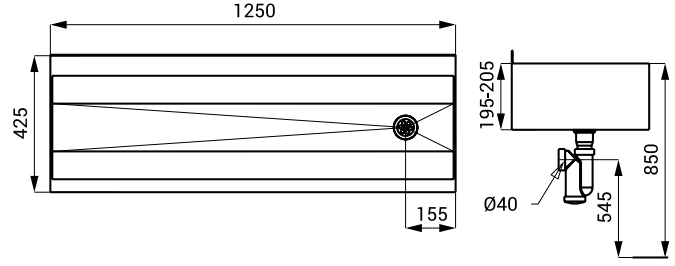
SLUN 43CS



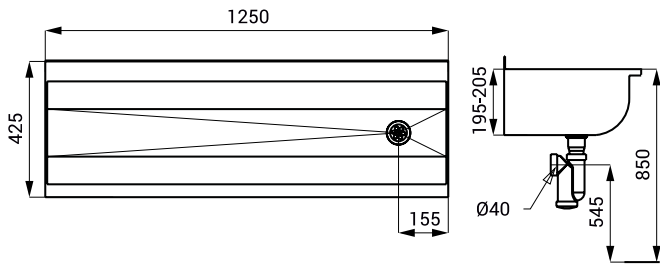
SLUN 10, 10L



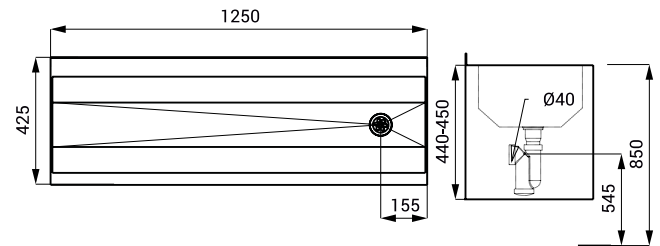
SLUN 10P, 10PL



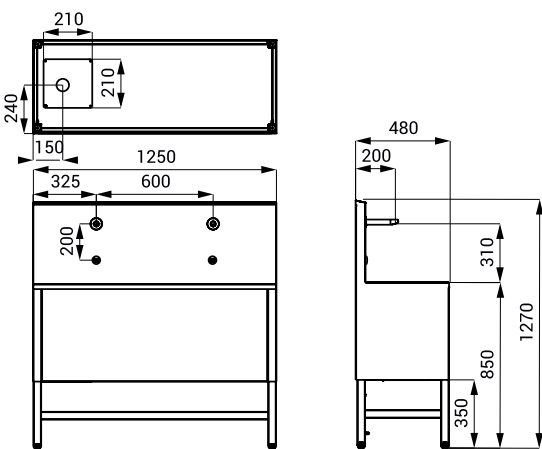
SLUN 10K, 10KL



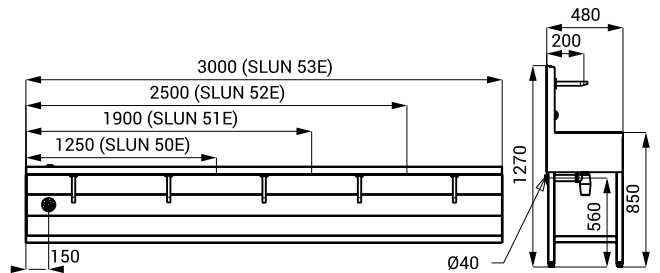
SLUN 10PA



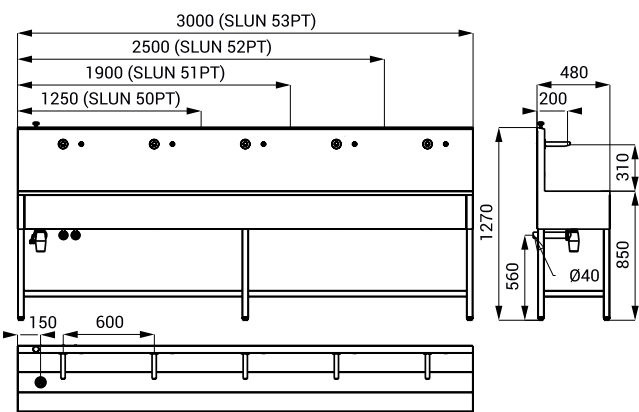
SLUN 50EA



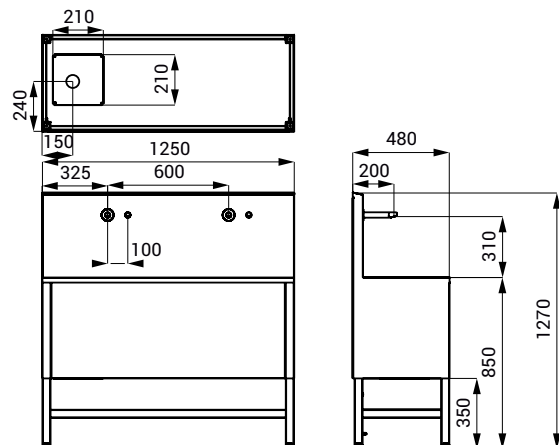
SLUN 50E(T) - 53E(T)



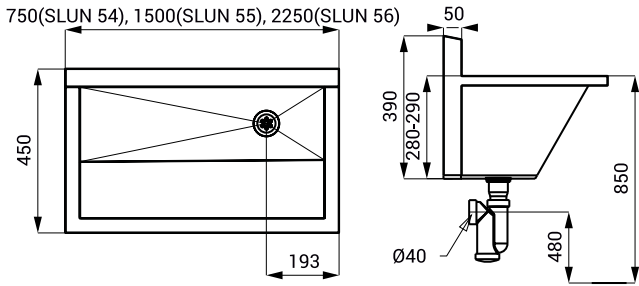
SLUN 50P-53PT



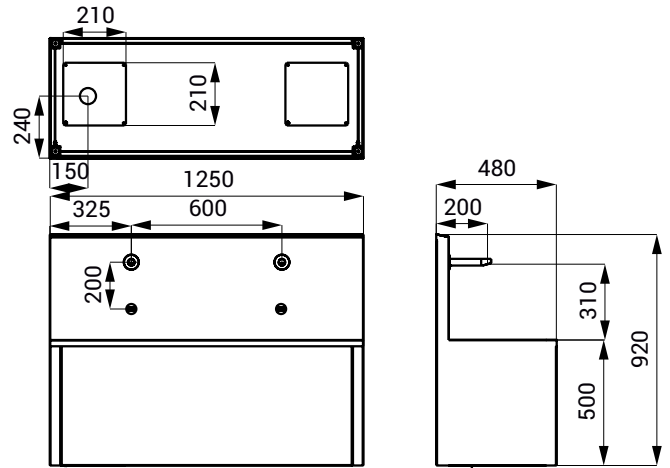
SLUN 50PA



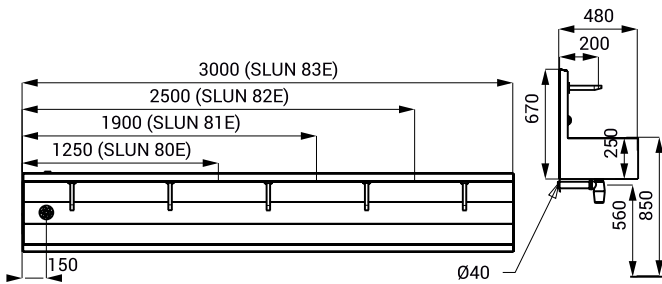
SLUN 54(L), 55(L), 56(L)



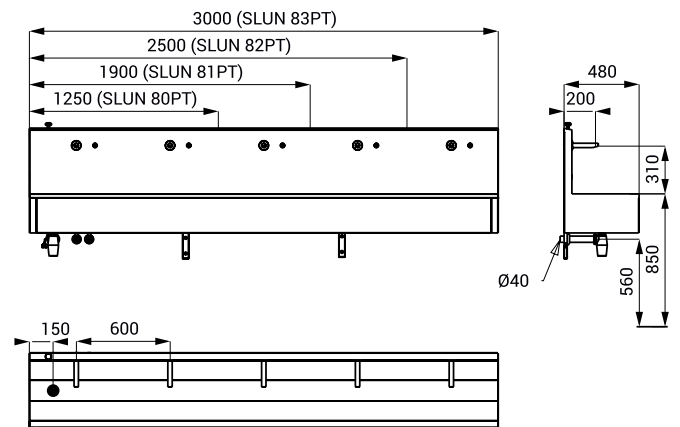
SLUN 80EA



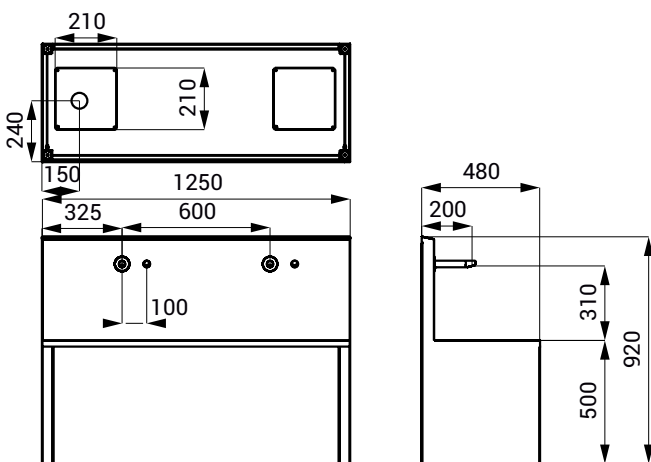
SLUN 80E(T) - 83(T)



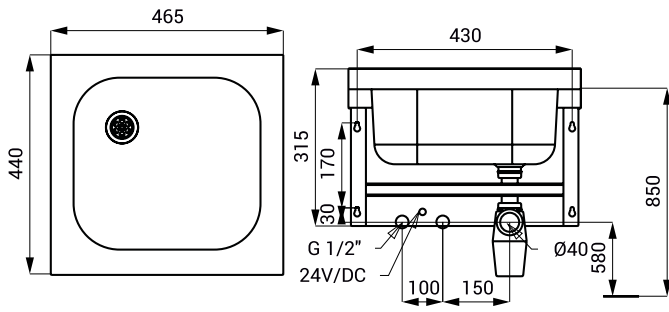
SLUN 80P-80PT



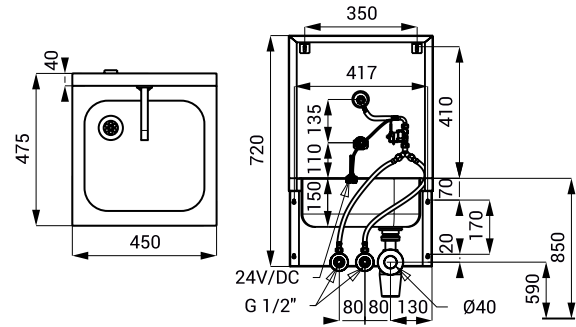
SLUN 80PA



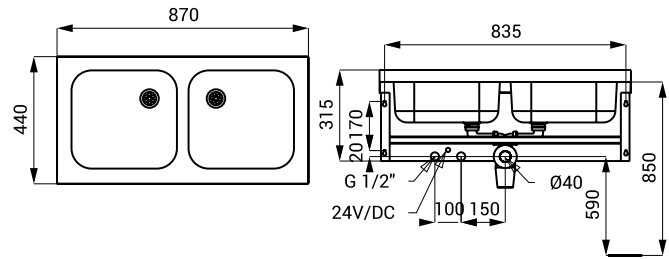
SLUN 03



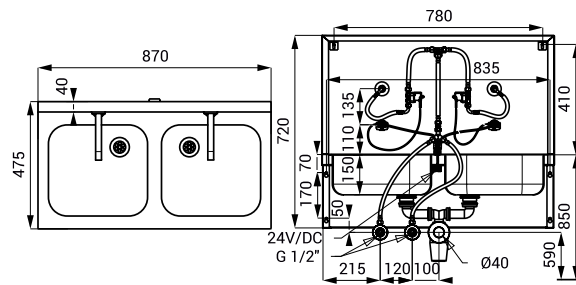
SLUN 04E, 04ET



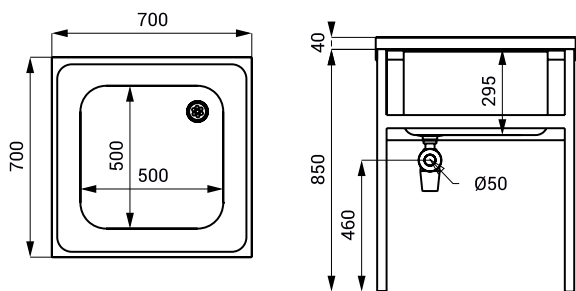
SLUN 06



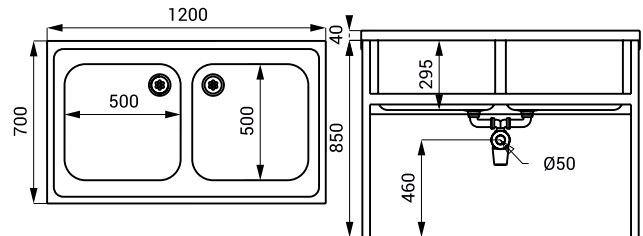
SLUN 07E, 07ET



SLUN 15

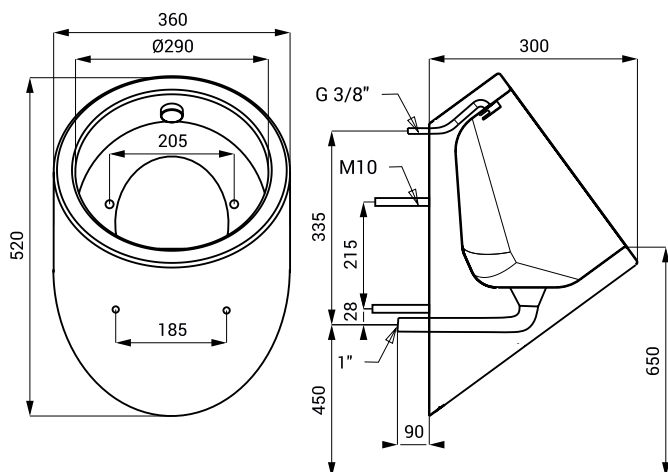


SLUN 16

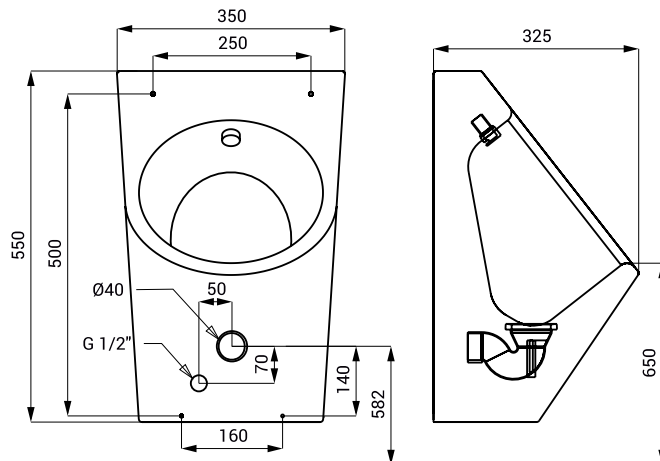


STAINLESS STEEL URINALS AND URINAL TROUGHS

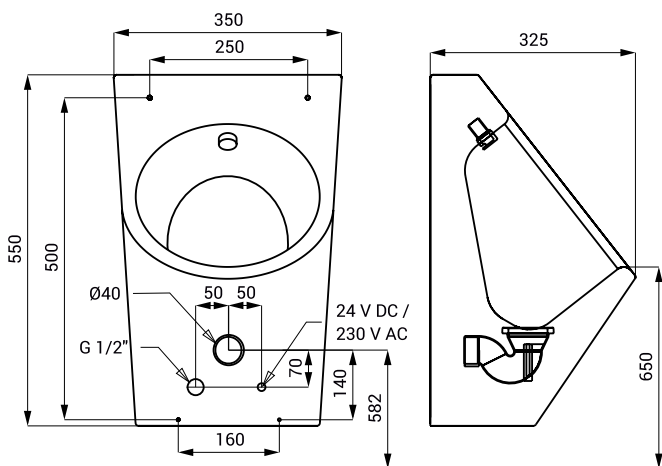
SLPN 06



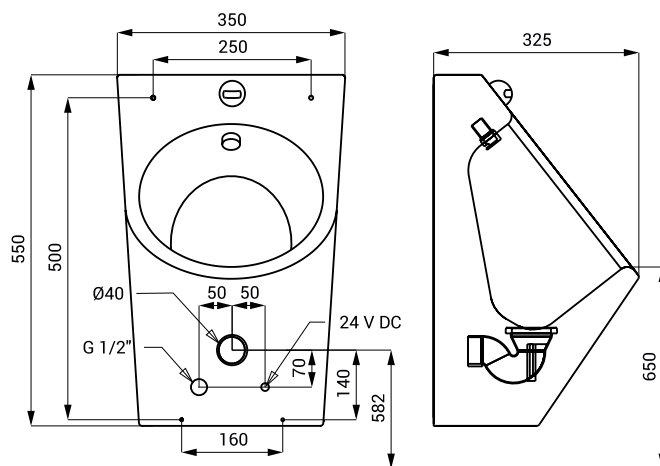
SLPN 07, 07CB



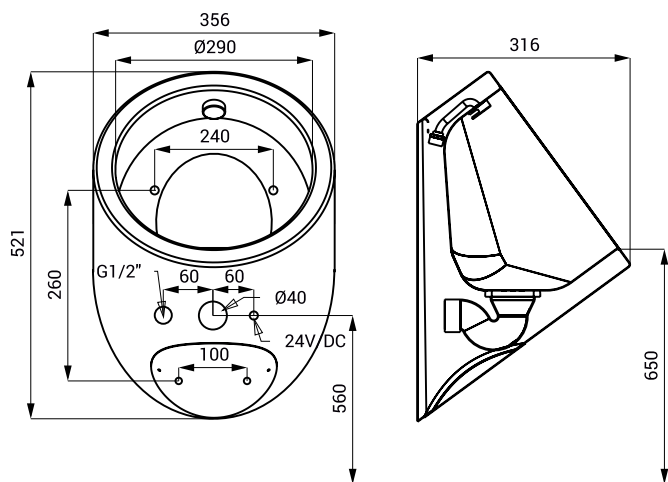
SLPN 07C, 07CZ



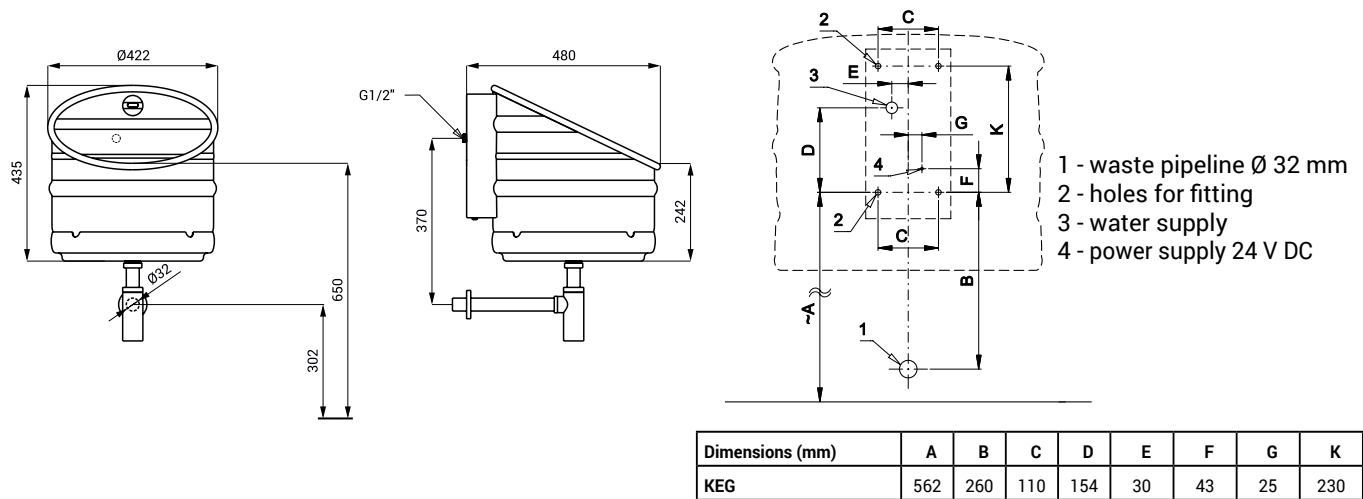
SLPN 07E



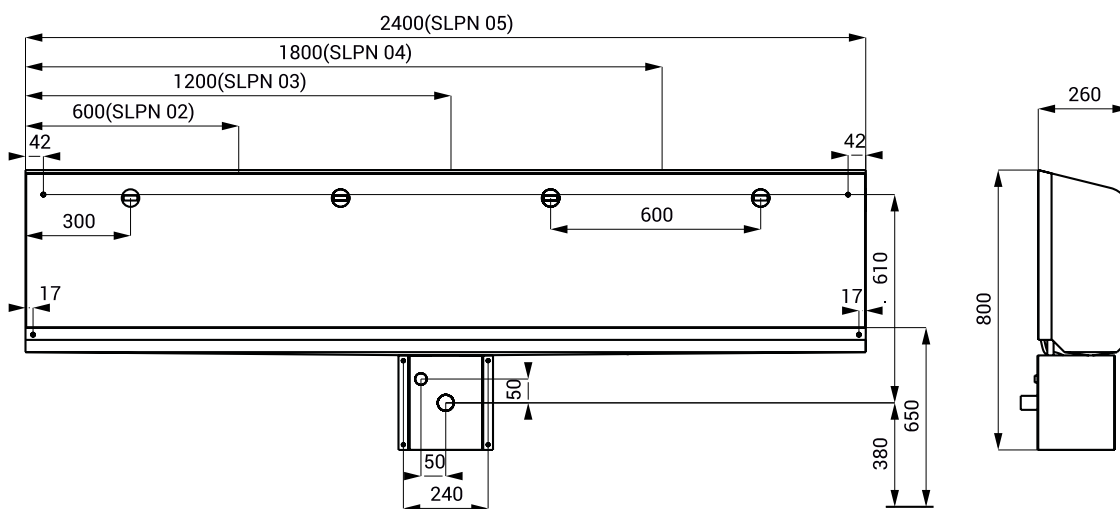
SLPN 09, 09C



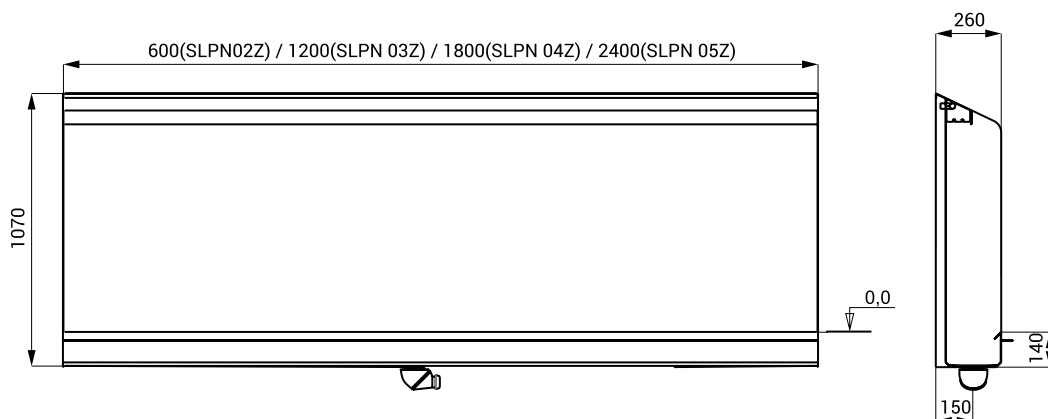
SLPN 10E



SLPN 02, 02E, 02C - 05, 05E, 04C

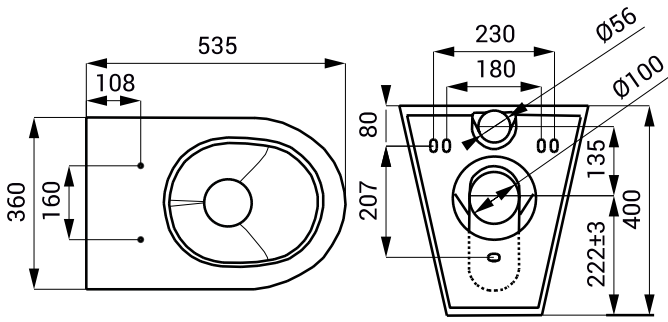


SLPN 02Z - 05Z

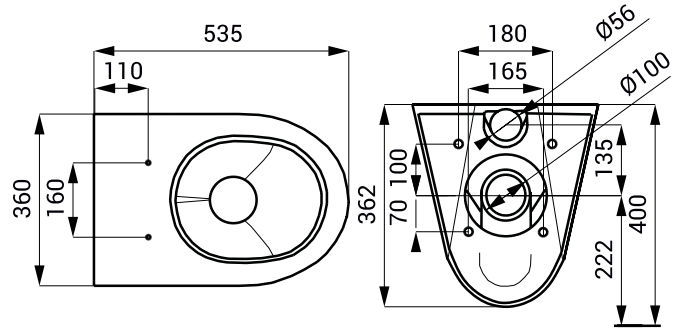


STAINLESS STEEL TOILETS

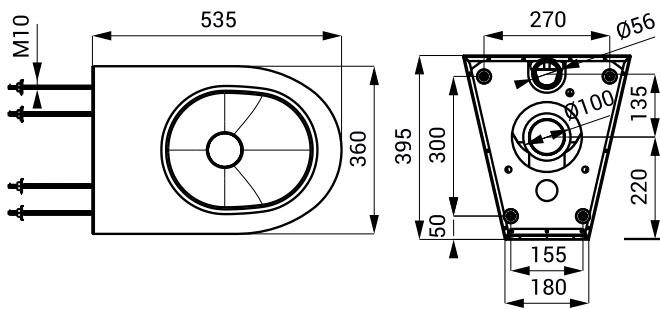
SLWN 03



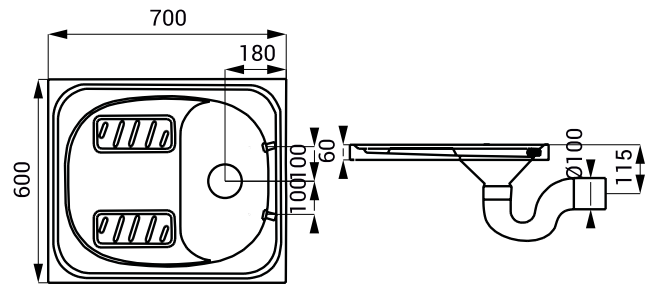
SLWN 04



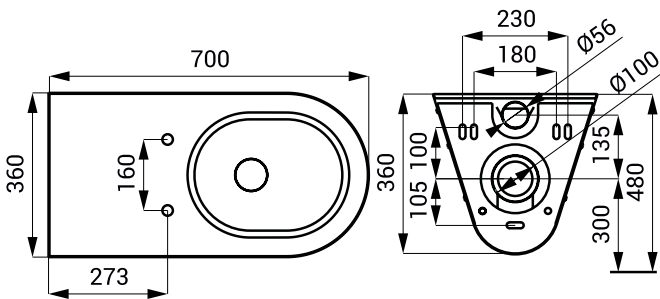
SLWN 05



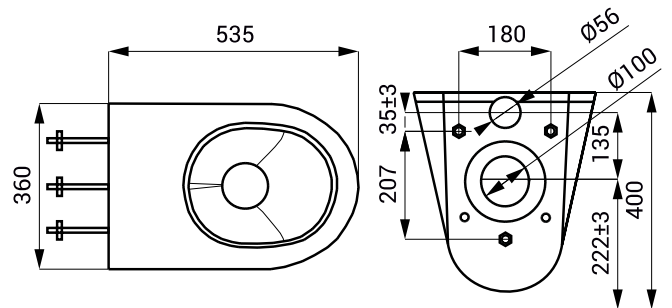
SLWN 07



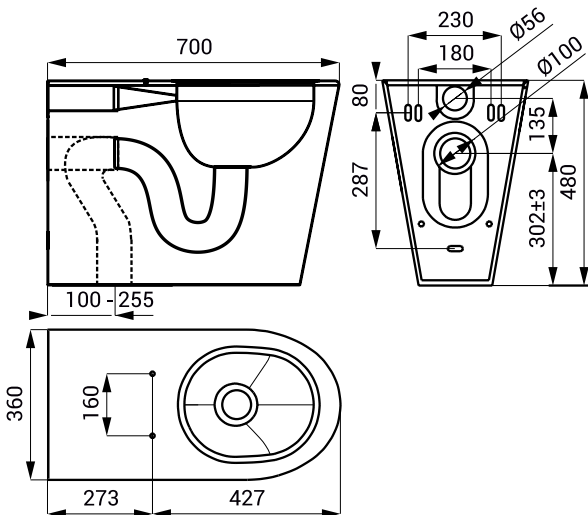
SLWN 11



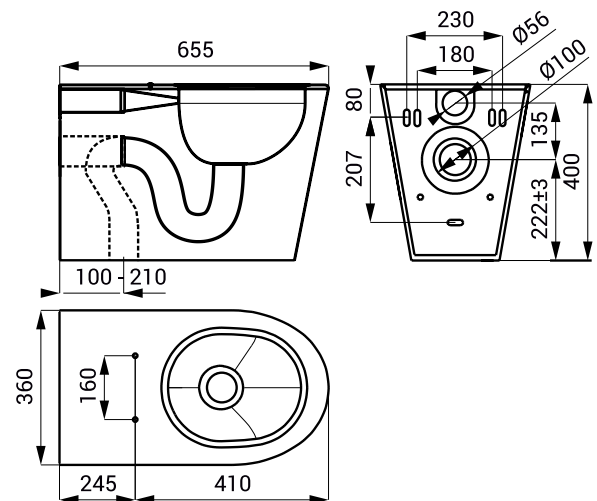
SLWN 12



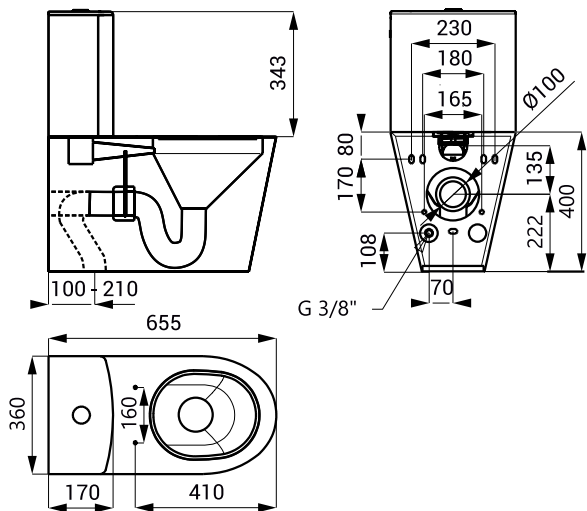
SLWN 13



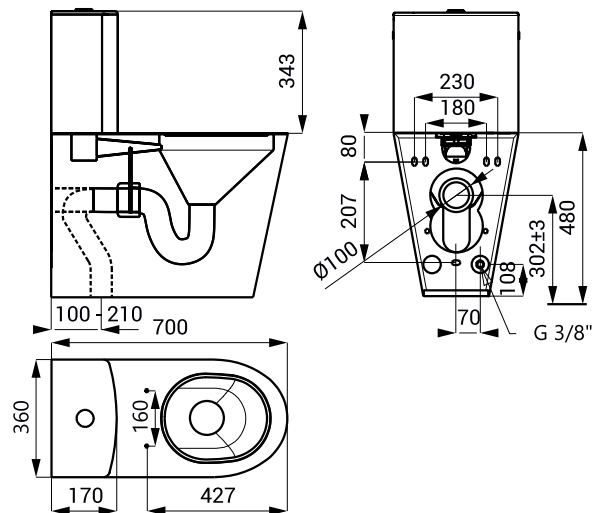
SLWN 14



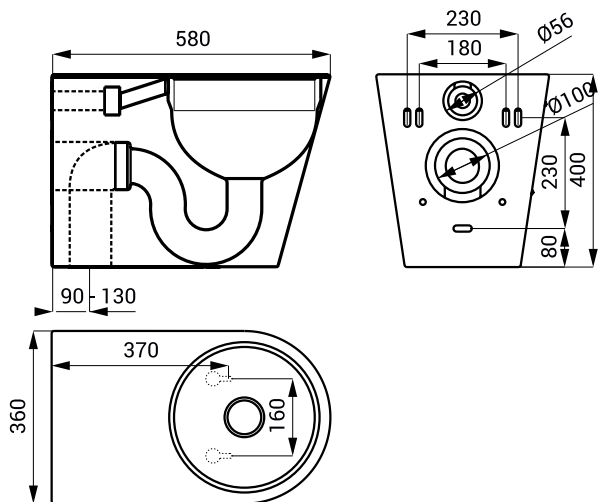
SLWN 15



SLWN 16

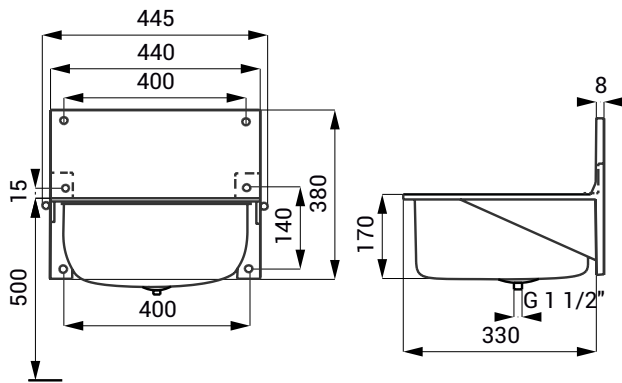


SLWN 30

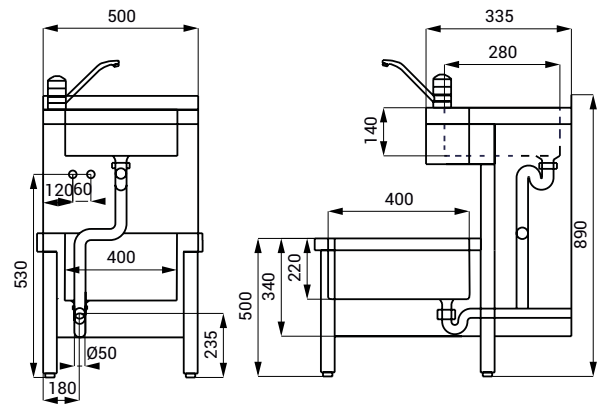


STAINLESS STEEL CLEANER'S SINKS

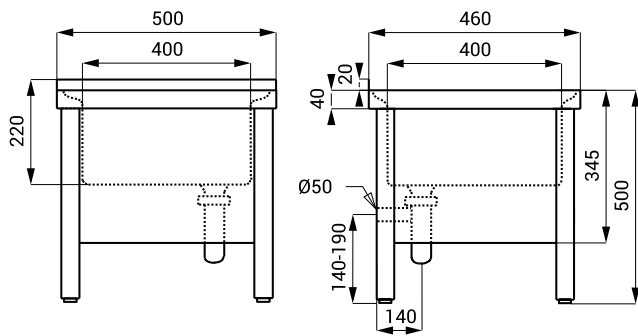
SLVN 01



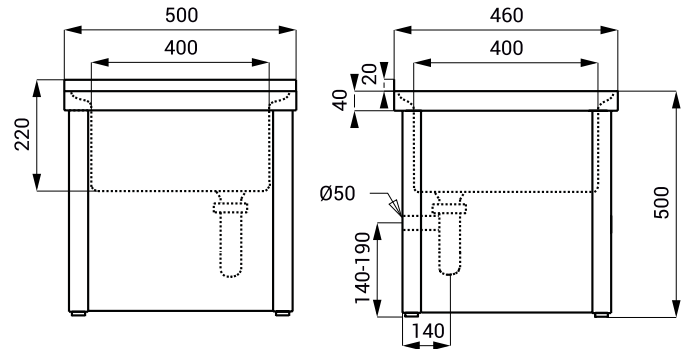
SLVN 02



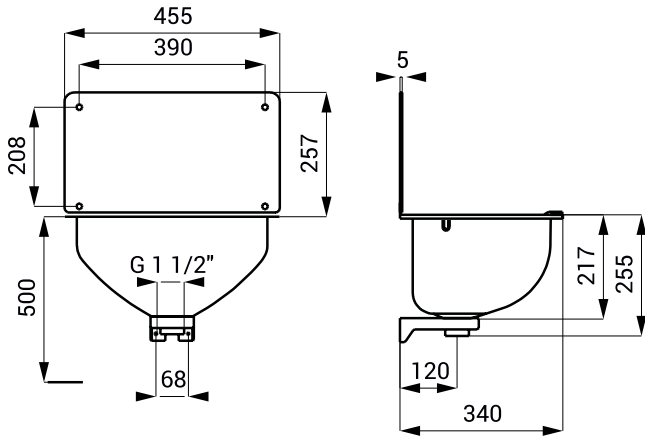
SLVN 03



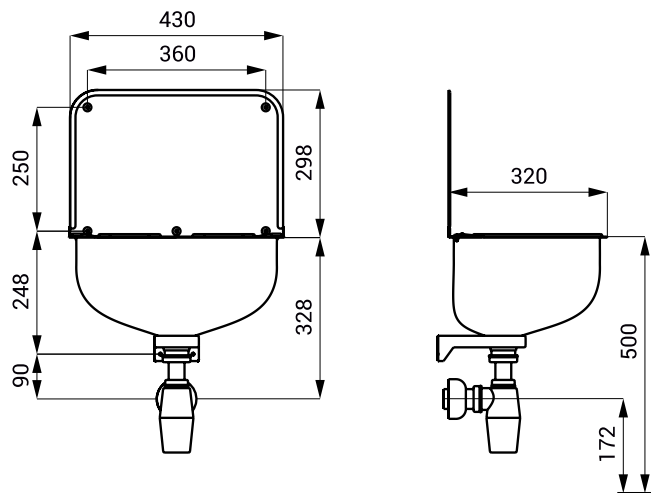
SLVN03A



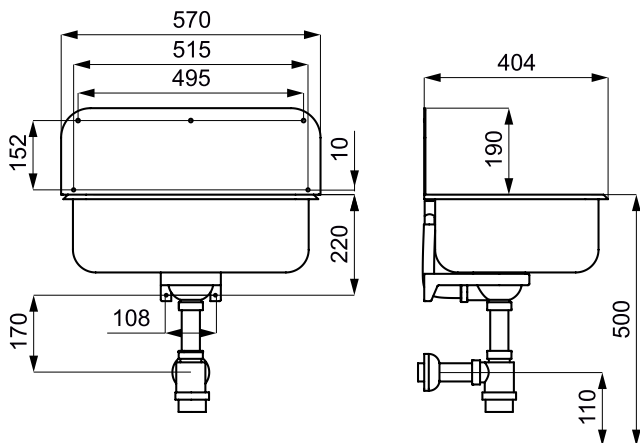
SLVN 04



SLVN 05



SLVN 06



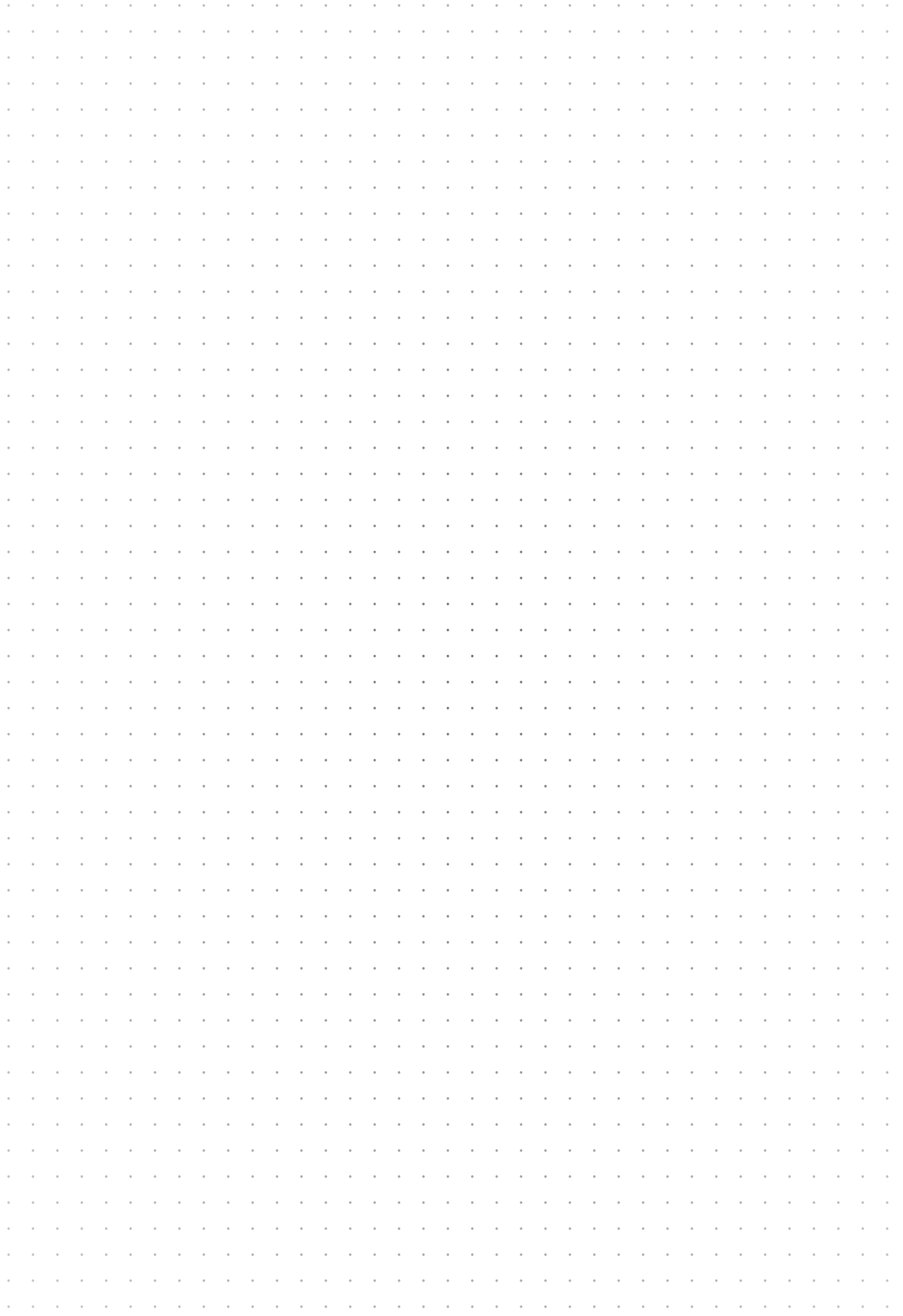
SLA 02	116	SLDN 08ES	98	SLKN 06FX	75	SLKN 18E	75
SLA 03	112	SLDN 08ED	98	SLKN 07A	75	SLKN 18EX	75
SLA 09	116	SLDN 08EDS	98	SLKN 07AX	75	SLKN 18F	75
SLA 10	116	SLDN 99A	98	SLKN 07B	75	SLKN 18FX	75
SLA 11	116	SLKN 01	75	SLKN 07BX	75	SLKT 01	87
SLA 11A	116	SLKN 01L	75	SLKN 07C	75	SLKT 01S	87
SLA 11B	116	SLKN 03A	75	SLKN 07CX	75	SLO 01L	102
SLA 11C	116	SLKN 03AX	75	SLKN 07D	75	SLO 01S	102
SLA 13	112	SLKN 03B	75	SLKN 07DX	75	SLO 02E	102
SLA 14	112	SLKN 03BX	75	SLKN 07E	75	SLO 02M	102
SLA 20	116	SLKN 03C	75	SLKN 07EX	75	SLP 01Z	11, 57
SLA 26	116	SLKN 03CX	75	SLKN 07F	75	SLP 02K	5
SLA 27	61, 116	SLKN 03D	75	SLKN 07FX	75	SLP 02KV	5
SLA 29	119	SLKN 03DX	75	SLKN 08A	75	SLP 02KVZ	5
SLA 30	119	SLKN 03E	75	SLKN 08AX	75	SLP 02KZ	5
SLA 32	119	SLKN 03EX	75	SLKN 08B	75	SLP 02N	5
SLA 33	119	SLKN 03F	75	SLKN 08BX	75	SLP 02NB	5
SLA 36	119	SLKN 03FX	75	SLKN 08C	75	SLP 02NP	7
SLA 37	119	SLKN 04A	75	SLKN 08CX	75	SLP 02NZ	5
SLA 39	112	SLKN 04AX	75	SLKN 08D	75	SLP 02PA	7
SLA 40	112	SLKN 04B	75	SLKN 08DX	75	SLP 03K	5
SLA 52A	22, 119	SLKN 04BX	75	SLKN 08E	75	SLP 03KZ	5
SLA 52B	22, 119	SLKN 04C	75	SLKN 08EX	75	SLP 03KB	5
SLA 54	119	SLKN 04CX	75	SLKN 08F	75	SLP 03KV	5
SLA 55A	19, 120	SLKN 04D	75	SLKN 08FX	75	SLP 03KVZ	5
SLA 55B	19, 120	SLKN 045X	75	SLKN 09	75	SLP 03KVB	5
SLA 56A	19, 120	SLKN 04E	75	SLKN 10	75	SLP 03N	5
SLA 56B	19, 120	SLKN 04EX	75	SLKN 11	75	SLP 03NZ	5
SLA 57A	19, 120	SLKN 04F	75	SLKN 12	75	SLP 03NB	5
SLA 57B	19, 120	SLKN 04FX	75	SLKN 13	75	SLP 05N	7
SLA 58	94	SLKN 05A	75	SLKN 14	75	SLP 05NZ	7
SLA 58N	94	SLKN05AX	75	SLKN 15	75	SLP 06K	5
SLA 59	107	SLKN 05B	75	SLKN 16	75	SLP 06KV	5
SLA 92	119	SLKN 05BX	75	SLKN 17A	75	SLP 07S	7
SLA 93	119	SLKN 05C	75	SLKN 17AX	75	SLP 07Z	7
SLD 03	120	SLKN 05CX	75	SLKN 17B	75	SLP 07B	7
SLD 04	82, 120	SLKN 05D	75	SLKN 17BX	75	SLP 09K	7
SLD 05	82, 120	SLKN 05DX	75	SLKN 17C	75	SLP 12R	7
SLD 07	120	SLKN 05E	75	SLKN 17CX	75	SLP 12RZ	7
SLD 10	32, 120	SLKN 05EX	75	SLKN 17D	75	SLP 12RB	7
SLDN 01	97	SLKN 05F	75	SLKN 17DX	75	SLP 17	8
SLDN 01N	98	SLKN 05FX	75	SLKN 17E	75	SLP 17B	8
SLDN 02	97	SLKN 06A	75	SLKN 17EX	75	SLP 19S	8
SLDN 02N	98	SLKN06AX	75	SLKN 17F	75	SLP 19Z	8
SLDN 03	97	SLKN 06B	75	SLKN 17FX	75	SLP 19B	8
SLDN 03N	98	SLKN 06BX	75	SLKN 18A	75	SLP 20R	8
SLDN 05	97	SLKN 06C	75	SLKN 18AX	75	SLP 20RZ	8
SLDN 05N	98	SLKN 06CX	75	SLKN 18B	75	SLP 23S	8
SLDN 06	97	SLKN 06D	75	SLKN 18BX	75	SLP 23Z	8
SLDN 06N	98	SLKN 06DX	75	SLKN 18C	75	SLP 23B	8
SLDN 07	97	SLKN 06E	75	SLKN 18CX	75	SLP 24R	8
SLDN 07N	98	SLKN 06EX	75	SLKN 18D	75	SLP 24RZ	8
SLDN 08E	24, 98	SLKN 06F	75	SLKN 18DX	75	SLP 31RS	9

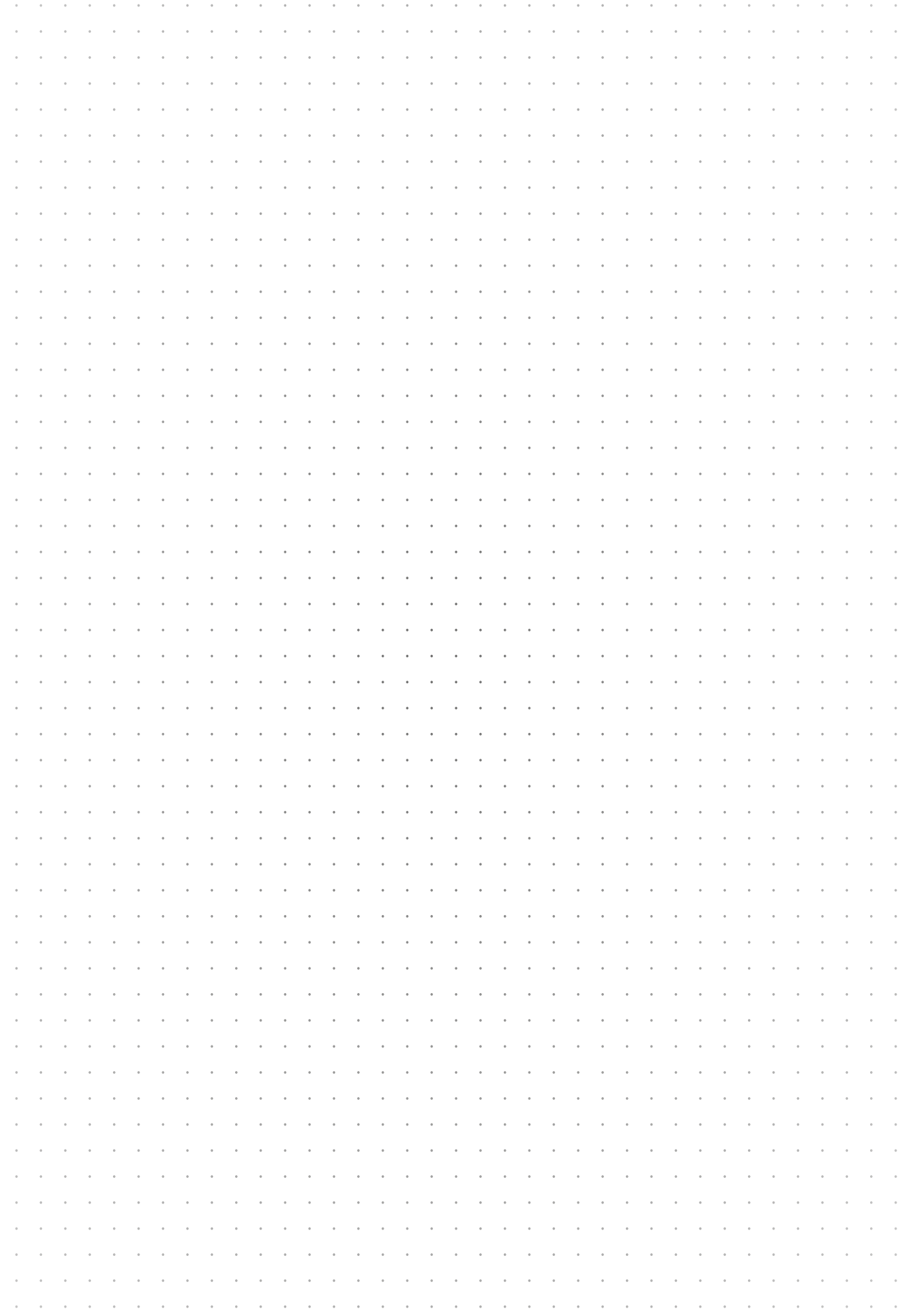
SLP 31RZ	9	SLPN 04	56	SLS 02PTB	31	SLT 09	120
SLP 31RB	9	SLPN 04C	56	SLS 02T	31	SLT 10	120
SLP 32R	9	SLPN 04CB	56	SLS 02TB	31	SLT 100U	112
SLP 32RZ	9	SLPN 04E	56	SLS 03	31	SLT 101U	113
SLP 32RB	9	SLPN 04EB	57	SLS 03B	31	SLT 12B	31
SLP 35S	9	SLPN 04Z	57	SLS 03S	31	SLT 12C	31
SLP 35Z	9	SLPN 05	57	SLS 03SB	31	SLT 12D	31
SLP 35B	9	SLPN 05E	57	SLS 30B	31	SLT 12E	31
SLP 35RS	9	SLPN 05EB	57	SLS 30C	31	SLT 113U	113
SLP 35RZ	9	SLPN 05Z	57	SLS 30D	31	SLT 131S	113
SLP 35RB	9	SLPN 06	57	SLS 30E	31	SLT 138S	113
SLP 36RS	10	SLPN 07	54	SLS 32B	32	SLT 150P	113
SLP 36RZ	10	SLPN 07C	54	SLS 32C	32	SLT 153P	113
SLP 36RB	10	SLPN 07CB	54	SLS 32D	32	SLT 161W	113
SLP 37R	10	SLPN 07CZ	54	SLS 32E	32	SLT 164W	113
SLP 37RZ	10	SLPN 07E	54	SLSN 01E	65	SLU 01N	15
SLP 37RB	10	SLPN 07EB	54	SLSN 01EB	65	SLU 01NB	15
SLP 49S	10	SLPN 09	54	SLSN 01P	65	SLU 02BT	15
SLP 49Z	10	SLPN 09C	54	SLSN 01PB	65	SLU 02N	15
SLP 49B	10	SLPN 09CB	54	SLSN 02E	65	SLU 02NB	15
SLP 54RS	10	SLPN 09CZ	54	SLSN 02EB	65	SLU 02T	15
SLP 54RZ	10	SLPN 10E	54, 67	SLSN 02ET	65	SLU 04H17	21
SLP 54RB	10	SLPN 10EB	54, 67	SLSN 02ETB	65	SLU 04H17B	21
SLP 59RS	10	SLR 01	114	SLSN 02P	65	SLU 04H25	21
SLP 59RZ	10	SLR 01L	114	SLSN 02PB	65	SLU 04H25B	21
SLP 59RB	10	SLR 02	114	SLSN 02PT	65	SLU 04HT17	21
SLP 68RS	10	SLR 02D	114	SLSN 02PTB	65	SLU 04HT17B	21
SLP 68RZ	10	SLR 02N	114	SLSN 06	66	SLU 04HT25	21
SLP 68 RB	10	SLR 03	114	SLSN 07	66	SLU 04HT25B	21
SLP 69RS	11	SLR 03N	115	SLSN 08	66	SLU 04P17	21
SLP 69 RZ	11	SLR 03Z	115	SLSN 09	66	SLU 04P17B	21
SLP 69RB	11	SLR 04	115	SLSN 10	66	SLU 04P25	21
SLP 70RS	11	SLR 21	115	SLSN 11	66	SLU 04P25B	21
SLP 70RZ	11	SLR 22	115	SLSN 19	69	SLU 08L	15
SLP 70RB	11	SLR 23	115	SLSN 20	69	SLU 08LB	15
SLP 71RS	11	SLR 24	115	SLSN 21	69	SLU 08LD	15
SLP 71RZ	11	SLR 54	120	SLSN 21D	69	SLK 08LDB	15
SLP 71RB	11	SLS 01AK	29	SLSN 21V	69	SLU 08LN	15
SLP 82RS	11	SLS 01AKB	29	SLSN 22	69	SLU 08LNB	15
SLP 82RZ	11	SLS 01AKV	29	SLSN 22D	69	SLU 08LND	15
SLP 82RB	11	SLS 01AKVB	29	SLSN 22V	69	SLU 08LNDB	15
SLPN 02	56	SLS 01N	29	SLSN 23	70	SLU 09PTB	17
SLPN 02C	56	SLS 01NB	29	SLSN 23H	70	SLU 25	21
SLPN 02CB	56	SLS 01NP	29	SLSN 23HO	70	SLU 25B	21
SLPN 02E	56	SLS 01NPB	29	SLSN 23Z	70	SLU 25S	21
SLPN 02EB	56	SLS 01P	29	SLSN 24	70	SLU 25SB	21
SLPN 02Z	57	SLS 01PA	29	SLSN 25	70	SLU 34	16
SLPN 03	56	SLS 01PB	29	SLSN 26	70	SLU 34B	16
SLPN 03C	56	SLS 02	29	SLSN 27	70	SLU 35	16
SLPN 03CB	56	SLS 02B	29	SLT 04	120	SLU 35B	16
SLPN 03E	56	SLS 02P	31	SLT 05	120	SLU 37	16
SLPN 03EB	56	SLS 02PB	31	SLT 07	120	SLU 37B	16
SLPN 03Z	57	SLS 02PT	31	SLT 08	120	SLU 39	22

SLU 39B	22	SLU 92NB	17	SLUN 24X	39	SLUN 62EB	46
SLU 39BX	22	SLU 92ND	18	SLUN 26	39	SLUN 62ES	46
SLU 39PBX	21	SLU 92NDB	18	SLUN 26A	39	SLUN 62ESB	46
SLU 39PX	21	SLU 92NP	18	SLUN 28A	39	SLUN 62S	46
SLU 39X	22	SLU 92NPB	18	SLUN 32	40	SLUN 63	41
SLU 42K	22	SLU 92NPD	18	SLUN 32X	40	SLUN 66	41
SLU 42KB	22	SLU 92NPDB	18	SLUN 34	40	SLUN 68	42
SLU 43	22	SLU 93N	17	SLUN 36A	40	SLUN 69	42
SLU 43B	22	SLU 93NB	17	SLUN 43	46	SLUN 70H	42
SLU 43KB	22	SLU 93ND	18	SLUN 43C	46	SLUN 70P	43
SLU 43V	22	SLU 93NDB	18	SLUN 43CS	46	SLUN 71E	43
SLU 43VB	22	SLU 93NP	18	SLUN 43E	46	SLUN 71EB	43
SLU 44P	22	SLU 93NPB	18	SLUN 43EB	46	SLUN 71P	43
SLU 44PB	22	SLU 93NPD	18	SLUN 43S	46	SLUN 71PB	43
SLU 44PP	22	SLU 93NPDB	18	SLUN 44	40	SLUN 72E	43
SLU 45	16	SLUN 01	38	SLUN 44X	40	SLUN 72EB	43
SLU 45B	16	SLUN 02	38	SLUN 45	40	SLUN 72ET	43
SLU 45MD	23	SLUN 03	51	SLUN 45X	40	SLUN 72ETB	43
SLU 46	16	SLUN 04E	51	SLUN 47	40	SLUN 72P	43
SLU 46B	16	SLUN 04EB	51	SLUN 47X	40	SLUN 72PB	43
SLU 45M2	23	SLUN 04ET	51	SLUN 50E	48	SLUN 72PT	43
SLU 45M3	23	SLUN 04ETB	51	SLUN 50EA	48	SLUN 72PTB	43
SLU 45M4	23	SLUN 06	51	SLUN 50ET	48	SLUN 73	42
SLU 45M5	23	SLUN 06EX	51	SLUN 50PA	49	SLUN 73V	42
SLU 45M6	23	SLUN 06EXB	51	SLUN 50P	49	SLUN 73A	42
SLU 46MD	23	SLUN 07E	51	SLUN 50PT	49	SLUN 73AV	42
SLU 56	16	SLUN 07EB	51	SLUN 51E	48	SLUN 75E	43
SLU 56B	16	SLUN 07ET	51	SLUN 51ET	48	SLUN 75EB	43
SLU 57	12	SLUN 07ETB	51	SLUN 51P	49	SLUN 76E	43
SLU 57B	12	SLUN 10	47	SLUN 51PT	49	SLUN 76EB	43
SLU 56V	16	SLUN 10K	47	SLUN 52E	48	SLUN 76ET	43
SLU 56VB	16	SLUN 10KL	47	SLUN 52ET	48	SLUN 76ETB	43
SLU 57V	16	SLUN 10L	47	SLUN 52P	49	SLUN 77	45, 67
SLU 57VB	16	SLUN 10P	47	SLUN 52PT	49	SLUN 77A	45, 67
SLU 60	16	SLUN 10PA	47	SLUN 53E	48	SLUN 80E	50
SLU 60B	16	SLUN 10PL	47	SLUN 53ET	48	SLUN 80EA	49
SLU 60V	17	SLUN 11	38	SLUN 53P	49	SLUN 80ET	50
SLU 60VB	17	SLUN 13	38	SLUN 53PT	49	SLUN 80PA	50
SLU 63	17	SLUN 14	45	SLUN 54	47	SLUN 80P	50
SLU 63B	17	SLUN 14E	45	SLUN 54L	47	SLUN 80PT	50
SLU 63V	17	SLUN 14EB	45	SLUN 55	47	SLUN 81E	50
SLU 63VB	17	SLUN 15	52	SLUN 55L	47	SLUN 81ET	50
SLU 76	17	SLUN 16	52	SLUN 56	47	SLUN 81P	50
SLU 76B	17	SLUN 17	38	SLUN 56L	47	SLUN 81PT	50
SLU 91N	17	SLUN 19	38	SLUN 57	41	SLUN 82E	50
SLU 91NB	17	SLUN 19P	39	SLUN 58	41	SLUN 82ET	50
SLU 91ND	18	SLUN 20	38	SLUN 59	41	SLUN 82P	50
SLU 91NDB	18	SLUN 20P	39	SLUN 60	38	SLUN 82PT	50
SLU 91NP	18	SLUN 22M	39	SLUN 60P	39	SLUN 83E	50
SLU 91NPB	18	SLUN 23	45	SLUN 61	38	SLUN 83ET	50
SLU 91NPD	18	SLUN 23E	45	SLUN 61P	39	SLUN 83P	50
SLU 91NPDB	18	SLUN 23EB	45	SLUN 62	46	SLUN 83PT	50
SLU 92N	17	SLUN 23M	45	SLUN 62E	46	SLVN 01	71

SLVN 02	71	SLWN 28P	62	SLZA 30A	85	SLZD 12N	106
SLVN 02E	71	SLWN 30	60	SLZA 30AZ	85	SLZD 13	106
SLVN 02EB	71	SLWN 38	62	SLZA 30B	85	SLZD 13N	106
SLVN 03	71	SLWN 38P	62	SLZA 30BZ	85	SLZD 14	106
SLVN 03A	71	SLZ 01Y	111	SLZA 30C	87	SLZD 14N	106
SLVN 04	71	SLZ 01Z	111	SLZA 30CZ	87	SLZD 15	106
SLVN 05	71	SLZ 04X	111	SLZA 30E	86	SLZD 15N	106
SLVN 06	72	SLZ 04Y	111	SLZA 30EZ	86	SLZD 17	106
SLW 01NK	34	SLZ 04Z	111	SLZA 31	85	SLZD 17N	106
SLW 01NKB	34	SLZ 05	111	SLZA 32	85	SLZD 18	105
SLW 01P	34	SLZ 06	111	SLZA 32T	85	SLZD 18N	105
SLW 01PA	34	SLZ 07	111	SLZA 35	85	SLZD 19	105
SLW 01PB	34	SLZ 08	111	SLZA 35H	85	SLZD 19N	105
SLW 02A	35	SLZA 01LM	79	SLZA 40	81	SLZD 20	107
SLW 02F	37	SLZA 01LMZ	79	SLZA 40G	81	SLZD 20N	107
SLW 02GT	37	SLZA 01LN	77	SLZA 40GVZ	81	SLZD 21	107
SLW 02N	37	SLZA 01LNZ	77	SLZA 40GV	81	SLZD 21N	107
SLW 02PA	35	SLZA 01M	79	SLZA 40GZ	81	SLZD 23	107
SLW 03PA	35	SLZA 01MZ	79	SLZA 40V	81	SLZD 23N	107
SLW 04PA	35	SLZA 01N	77	SLZA 40Z	81	SLZD 24	106
SLW 10NK	34	SLZA 01NZ	77	SLZA 40VZ	81	SLZD 24N	106
SLW 10NKB	34	SLZA 02LM	79	SLZA 41	82	SLZD 25	105
SLW 10P	34	SLZA 02LMZ	79	SLZA 41Z	82	SLZD 25N	105
SLW 10PB	34	SLZA 02LN	77	SLZA 50	82	SLZD 26	105
SLW 10PA	34	SLZA 02LNZ	77	SLZA 51	87	SLZD 26N	105
SLW 30A	35	SLZA 02M	79	SLZA 51B	87	SLZD 28	105
SLW 30E	35	SLZA 02MZ	79	SLZA 51R	87	SLZD 28N	105
SLW 30F	35	SLZA 02N	77	SLZA 52	82	SLZD 29	105
SLW 50	37	SLZA 02NZ	77	SLZA 53	82, 87	SLZD 29N	105
SLW 51	37	SLZA 03M	80	SLZA 54	87	SLZD 30	107
SLW 52	37	SLZA 03MZ	80	SLZA 54A	87	SLZD 30N	107
SLW 53	37	SLZA 03N	78	SLZA 55	87	SLZD 31	107
SLW 54	37	SLZA 03NZ	78	SLZD 01	103	SLZD 31N	107
SLWN 03	59	SLZA 04L	82	SLZD 01N	103	SLZD 33	107
SLWN 04	59	SLZA 04LZ	82	SLZD 02	103	SLZD 33N	107
SLWN 05	59	SLZA 15	82	SLZD 02N	103	SLZD 34	104
SLWN 07	61	SLZA 17	82	SLZD 03	103	SLZD 34N	104
SLWN 07D	61	SLZA 20	80	SLZD 03N	103	SLZD 35	104
SLWN 08L	61	SLZA 20H	80	SLZD 04	103	SLZD 35N	104
SLWN 08LP	61	SLZA 20P	78	SLZD 04N	103	SLZD 36	104
SLWN 08P	61	SLZA 20PH	78	SLZD 05	103	SLZD 36N	104
SLWN 08PP	61	SLZA 20PT	78	SLZD 05N	103	SLZD 37	104
SLWN 11	59	SLZA 20T	80	SLZD 06	103	SLZD 37N	104
SLWN 12	59	SLZA 21	80	SLZD 06N	103	SLZM 02	110
SLWN 13	59	SLZA 21H	80	SLZD 07	103	SLZM 02D	110
SLWN 14	60	SLZA 21P	78	SLZD 07N	103	SLZM 02DX	110
SLWN 15	60	SLZA 21PH	78	SLZD 08	104	SLZM 02X	110
SLWN 16	60	SLZA 21PT	78	SLZD 08N	104	SLZM 03	110
SLWN 18L	61	SLZA 21T	80	SLZD 10	104	SLZM 03D	110
SLWN 18LP	62	SLZA 28	81	SLZD 10N	104	SLZM 03DP	110
SLWN 18P	61	SLZA 29	81	SLZD 11	104	SLZM 03DX	110
SLWN 18PP	62	SLZA 29T	81	SLZD 11N	104	SLZM 03DXP	110
SLWN 28	62	SLZA 30	86	SLZD 12	106	SLZM 03S	110

SLZM 03SD	110	SLZN 41	92	SLZN 66	90	SLZN 98E	93
SLZM 03SDP	110	SLZN 42	92	SLZN 67	99		
SLZM 03SDX	110	SLZN 42V	92	SLZN 68	99		
SLZM 03SDXP	110	SLZN 43	92	SLZN 68N	99		
SLZM 03SX	110	SLZN 44AA	109	SLZN 69	72		
SLZM 03X	110	SLZN 44AB	109	SLZN 70	99		
SLZM 04	110	SLZN 44AC	109	SLZN 71E	24, 95		
SLZM 04X	110	SLZN 44AD	109	SLZN 71ESB	95		
SLZM 05	110	SLZN 44B	109	SLZN 72E	95		
SLZM 05X	110	SLZN 44C	109	SLZN 73	97		
SLZM 06	111	SLZN 44D	109	SLZN 74	97		
SLZN 01	89	SLZN 44E	109	SLZN 76	109		
SLZN 03	90	SLZN 44F	109	SLZN 78X	93		
SLZN 05	96	SLZN 44G	109	SLZN 79X	93		
SLZN 06	96	SLZN 44H	109	SLZN 80X	93		
SLZN 07	96	SLZN 44J	109	SLZN 81	48		
SLZN 09	89	SLZN 44K	109	SLZN 81L	48		
SLZN 09N	89	SLZN 44L	109	SLZN 82	69, 108		
SLZN 10	90	SLZN 44M	109	SLZN 83E	23, 95		
SLZN 10X	91	SLZN 44N	109	SLZN 83E2	23, 95		
SLZN 11	90	SLZN 44P	109	SLZN 83E3	23, 95		
SLZN 11X	91	SLZN 44R	109	SLZN 83E4	23, 95		
SLZN 12	90	SLZN 44S	109	SLZN 83E5	23, 95		
SLZN 12X	91	SLZN 44T	109	SLZN 83E6	23, 95		
SLZN 13	57	SLZN 44U	109	SLZN 83ER	23, 95		
SLZN 14	11	SLZN 44V	109	SLZN 83ER2	24, 96		
SLZN 15	90	SLZN 45	99	SLZN 83ER3	24, 96		
SLZN 15X	91	SLZN 46	99	SLZN 83ER4	24, 96		
SLZN 17	96	SLZN 46D	99	SLZN 83ER5	24, 96		
SLZN 19	102	SLZN 47D	89	SLZN 83ER6	24, 96		
SLZN 19X	102	SLZN 47H	90	SLZN 83EV	23, 95		
SLZN 20	90	SLZN 49AA	92	SLZN 83EVR	23, 95		
SLZN 20V	90	SLZN 49AB	92	SLZN 84A	27		
SLZN 20X	90	SLZN 49AC	92	SLZN 84D	27		
SLZN 21	91	SLZN 49AD	92	SLZN 84F	27		
SLZN 21Z	91	SLZN 52	108	SLZN 84G	27		
SLZN 22	91	SLZN 53	90	SLZN 84H	27		
SLZN 23	91	SLZN 54	111	SLZN 84J	27		
SLZN 23V	91	SLZN 55	108	SLZN 91E	24, 96		
SLZN 23X	91	SLZN 56Z	92	SLZN 91E2	24, 96		
SLZN 24	91	SLZN 57	99	SLZN 91E3	24, 96		
SLZN 26	89	SLZN 57X	99	SLZN 91E4	24, 96		
SLZN 26Z	89	SLZN 59E	94	SLZN 91E5	24, 96		
SLZN 27	108	SLZN 59EB	94	SLZN 91E6	24, 96		
SLZN 30	108	SLZN 59ES	94	SLZN 92	67		
SLZN 31C	60, 108	SLZN 59ESB	94	SLZN 96A	93		
SLZN 35	108	SLZN 60	94	SLZN 96B	93		
SLZN 37	89	SLZN 61	95	SLZN 96E	93		
SLZN 37X	89	SLZN 62Z	97	SLZN 97A	93		
SLZN 37V	89	SLZN 63Z	93	SLZN 97B	93		
SLZN 39	96	SLZN 64	109	SLZN 97E	93		
SLZN 40	92	SLZN 64N	109	SLZN 98A	93		
SLZN 40V	92	SLZN 65	109	SLZN 98B	93		







EXTENDED 5 YEARS GUARANTEE PERIOD FOR SANELA ELECTRONICS



ECONOMICAL URINAL FLUSHING SYSTEM WITH FLUSHING BY 1 LITER OF WATER, SPECIAL SUCTION SIPHON IS A PART OF DELIVERY



ECONOMICAL AERATOR, RATE OF FLOW 6 L/MIN, ASSURES CONSIDERABLE SAVING OF WATER



VANDAL-PROOF, HIGHLY RESISTANT TO WEAR AND MECHANICAL DAMAGE



PRODUCT THAT MEET THE REQUIREMENTS OF HANDICAPPED AND PEOPLE WITH LIMITED MOBILITY



PRODUCT SUITABLE FOR HEALTH CARE FACILITIES



AUTOMATIC HYGIENIC FLUSH POSSIBILITY OF ACTIVATION BY TAPS AND SHOWERS AS THE PREVENTION AGAINST LEGIONELLA BACTERIA



PRODUCT SUITABLE FOR PRISONS AND PSYCHIATRIC HOSPITALS, MEET THE REQUIREMENTS OF HIGH RESISTANCE TO MECHANICAL DAMAGES AND MINIMIZE POSSIBILITY OF SELF-HARM OR SUICIDE OF USERS



LEAD-FREE TECHNOLOGY MEETS THE STRICT STANDARDS FOR DRINKING WATER DISTRIBUTION, WHICH IS THANKS TO ITS EASY RECYCLABILITY ALSO VERY ENVIRONMENTALLY FRIENDLY



SANELA spol. s r.o. Dukelských hrdinů 989 • 563 01 Lanškroun
tel.: +420 465 350 770-5 • e-mail: sanela@sanela.cz, www.sanela.eu

CE
EN ISO 9001:2015

